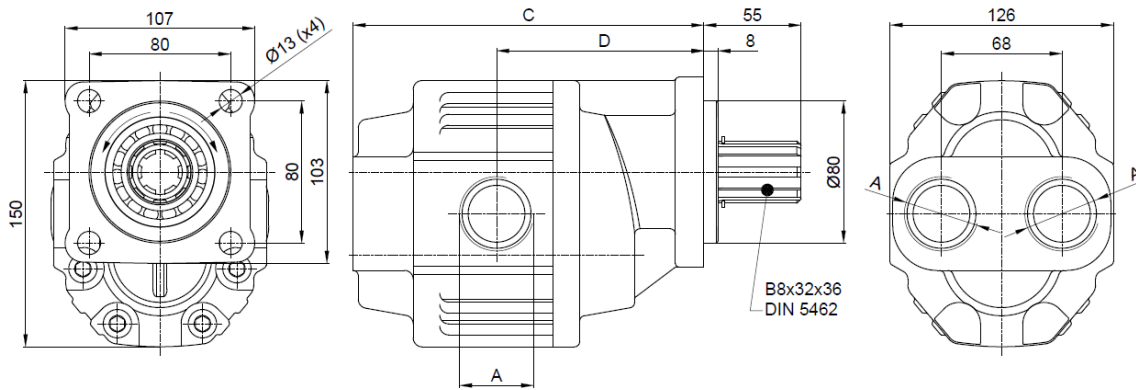




Main Dimensions



Right hand

Left hand

(Dimensions in mm)

Main Data

| Pumps B34GT | | 38 | 45 | 52 | 61 | 70 | 82 | 90 | 105 | 115 | 125 | |
|---------------------------------------|----------------------|----------------|------|------|------|------|------|--------|------|------|------|--|
| Displacement | cm ³ /rev | 38 | 46 | 52 | 61 | 70 | 82 | 91 | 102 | 116 | 125 | |
| Max. rotation speed | rpm | 2600 | 2500 | 2200 | 2000 | 1900 | 1800 | 1800 | 1600 | 1600 | 1500 | |
| Min. rotation speed | rpm | 500 | 500 | 500 | 500 | 500 | 500 | 500 | 500 | 500 | 500 | |
| Max. continuous pressure | bar | 300 | 280 | 260 | 240 | 220 | 210 | 190 | 190 | 180 | 170 | |
| Max. intermittent pressure (max. 20s) | bar | 320 | 300 | 280 | 260 | 240 | 230 | 210 | 210 | 200 | 190 | |
| Max. peak pressure (max. 6s) | bar | 335 | 315 | 295 | 275 | 255 | 245 | 225 | 225 | 215 | 205 | |
| Weight | kg | 11.0 | 11.2 | 11.5 | 12.5 | 13.0 | 13.5 | 14.0 | 15.0 | 15.5 | 16.0 | |
| Sense of rotation | | Bi-directional | | | | | | | | | | |
| A - Inlet /Outlet (DIN ISO 228) | G (BSP) | 3/4" | | | 1" | | | 1 1/4" | | | | |
| C | mm | 171 | 176 | 179 | 185 | 191 | 198 | 204 | 213 | 219 | 226 | |
| D | mm | 106 | 109 | 112 | 117 | 118 | 123 | 127 | 130 | 132 | 135 | |

How to order:

Example: Pump 38cm³/rev, continuous pressure up to 300 bar; peak pressure up to 335 bar, ref.B34GT → B34GT38

Note: Usually, used in frontal cylinders

| | | |
|--|---|-----------------|
| Fluids | mineral oils type ISO HM or DIN 51524-2 HLP | |
| Operating viscosity range | 10 to 100 cSt (mm ² /s) at working temperature | |
| Max operating limits viscosity | 750 cSt | |
| Oil temperature range | -25°C to 80°C | |
| Filtration | >200bar = 10µm | <200bar = 25 µm |
| In the application of any of these pumps; the use of these data does not exempt the reading of the instruction "Gear pumps recommendations before start-up". | | |

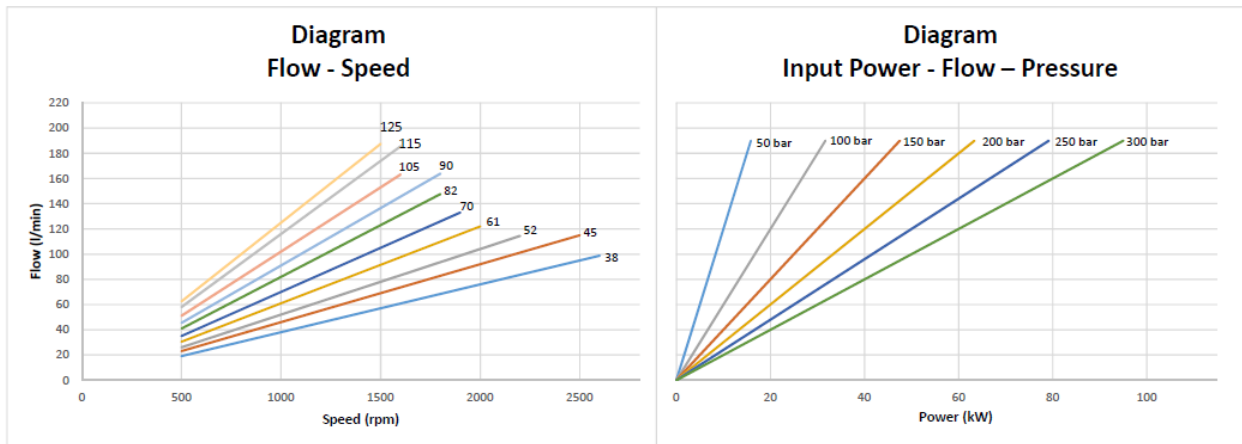
ABER is constantly engaged in improving its products and, therefore, reserves itself the right to modify without any further notice the characteristics shown



ABER - Embraigens e Comandos Hidráulicos - A. B. LDA

Rua Francisco de Almeida, Nº 30 – Vila Nova da Telha – 4470 MAIA - Portugal

Telephone: +351.22.9438070 Fax: +351.22.9420823 e-mail: aber@aber.pt <http://www.aber.pt>



Hose dimensions

| Inlet Hose | |
|--------------|-------------------------------|
| Flow (l/min) | Internal pipe diameter (inch) |
| 30-40 | 1"1/4 |
| 50-60 | 1"1/2 |
| 70-90 | 1"3/4 |
| 100-120 | 2" |
| 130-150 | 2"1/4 |
| 160-190 | 2"1/2 |
| 200-230 | 2"3/4 |
| 240-270 | 3" |

| Outlet Hose | | | | | |
|--------------|-------------------------------|--------|---------|---------|---------|
| Flow (l/min) | Internal pipe diameter (inch) | | | | |
| | 30 | 1/2" | 1/2" | 1/2" | 1/2" |
| 40 | 5/8" | 1/2" | 1/2" | 1/2" | |
| 50 | 5/8" | 5/8" | 5/8" | 1/2" | |
| 60 | 3/4" | 5/8" | 5/8" | 5/8" | |
| 70 | 1" | 3/4" | 3/4" | 5/8" | |
| 80 | 1" | 3/4" | 3/4" | 3/4" | |
| 90 | 1" | 1" | 1" | 3/4" | |
| 100 | 1" | 1" | 1" | 1" | |
| 110 | 1" | 1" | 1" | 1" | |
| 120 | 1" | 1" | 1" | 1" | |
| 130 | 1" | 1" | 1" | 1" | |
| 140 | 1"1/4 | 1" | 1" | 1" | |
| 150 | 1"1/4 | 1" | 1" | 1" | |
| 160 | 1"1/4 | 1"1/4 | 1" | 1" | |
| 170 | 1"1/4 | 1"1/4 | 1" | 1" | |
| 180 | 1"1/4 | 1"1/4 | 1"1/4 | 1" | |
| 190 | 1"1/4 | 1"1/4 | 1"1/4 | 1" | |
| 200 | 1"1/2 | 1"1/4 | 1"1/4 | 1"1/4 | |
| 210 | 1"1/2 | 1"1/4 | 1"1/4 | 1"1/4 | |
| 220 | 1"1/2 | 1"1/4 | 1"1/4 | 1"1/4 | |
| 230 | 1"1/2 | 1"1/2 | 1"1/4 | 1"1/4 | |
| 240 | 1"1/2 | 1"1/2 | 1"1/4 | 1"1/4 | |
| | | 50-100 | 100-150 | 150-200 | 200-300 |
| P (bar) | | | | | |

Important notes:

- Other axis available, please consult "Axel options".

ABER is constantly engaged in improving its products and, therefore, reserves itself the right to modify without any further notice the characteristics shown



ABER - Embraigens e Comandos Hidráulicos - A. B. LDA

Rua Francisco de Almeida, Nº 30 – Vila Nova da Telha – 4470 MAIA - Portugal

Telephone: +351.22.9438070 Fax: +351.22.9420823 e-mail: aber@aber.pt <http://www.aber.pt>