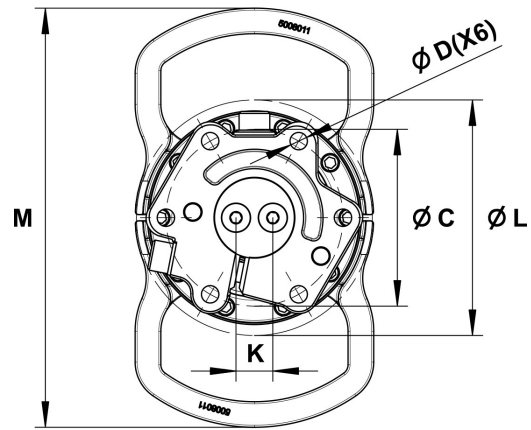
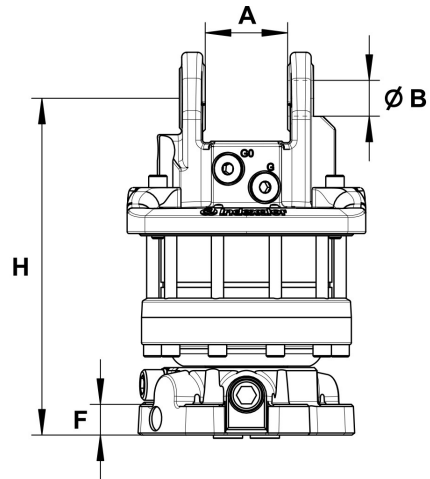
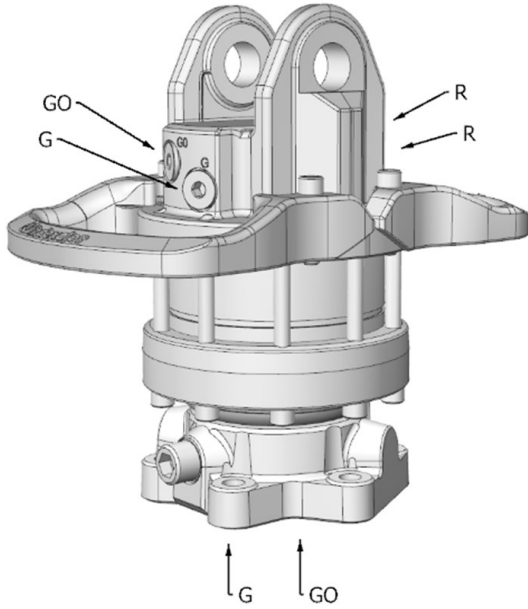











# T 10-2 A

Part No.: 5080047



Upper connection	Lower connection
G 1/2	G 1/2

A: 80,5 mm	B: Ø35 mm	C: Ø173 mm	D: Ø17 mm	F: 30 mm	H: 329 mm	K: 36 mm	L: Ø211 mm	M: 410 mm
---------------	--------------	---------------	--------------	-------------	--------------	-------------	---------------	--------------

								
54 kg	360°	Max 100 kN	Max 50 kN	2200 Nm	Max 25 l/min	Max 25 MPa	Max 25 MPa	Max 25 MPa