



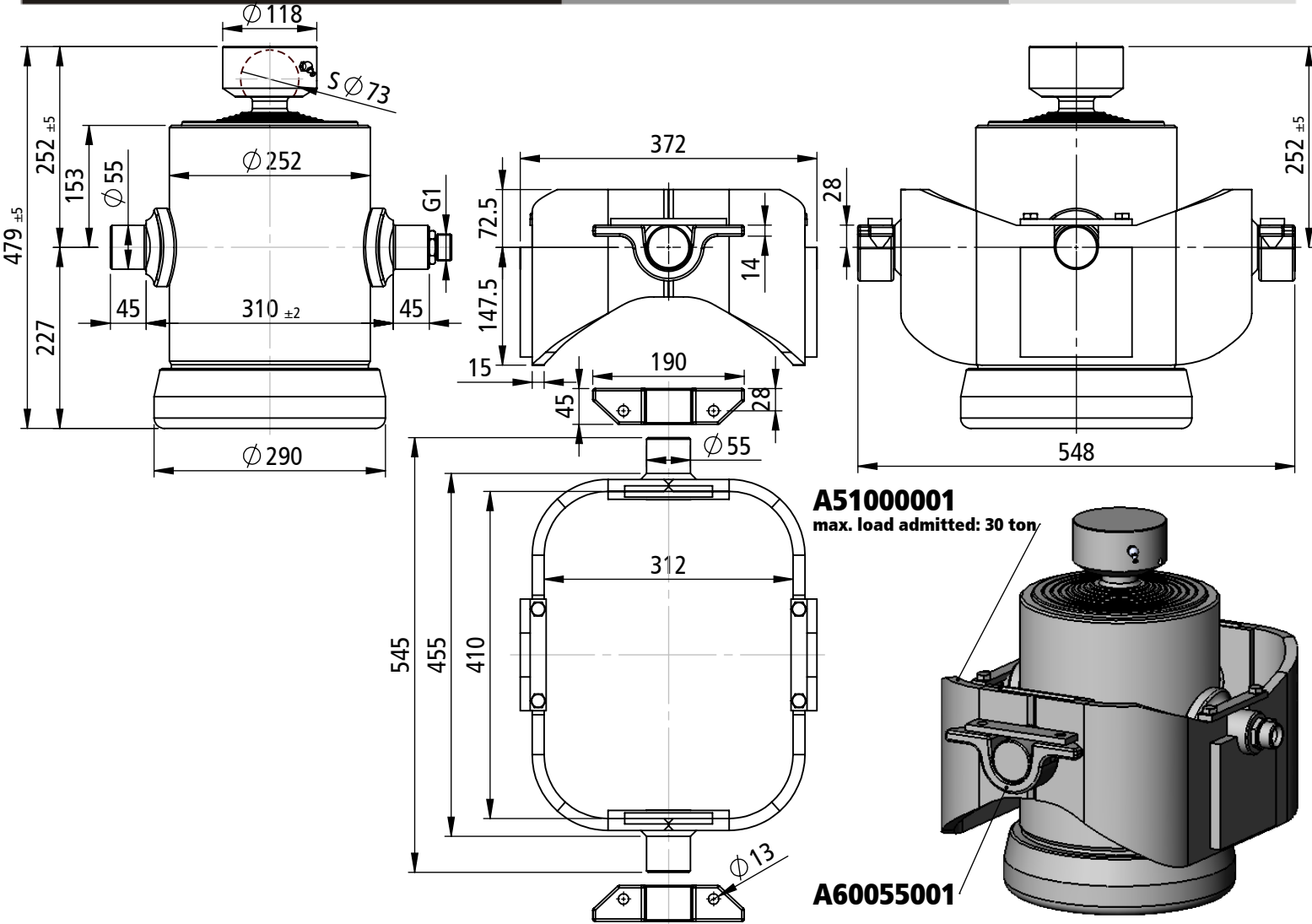
Under-body cylinder, ball - pins

Part Number

12000B2219001

Tipping weight

18-40 ton



A51000001
max. load admitted: 30 ton

A60055001

mounting dimension		252 mm + 20 mm min pull out				total stroke		2229 mm		max pressure		200 bar			
model: SB 2229 221 9				code: 12000B2219001				weight: 132 kg				HS Penta			
extension	1	2	3	4	5	6	7	8	9	--	--	number of stages: 9			
diameter [mm]	221.5	196	174	154	135	120	105	90	75	--	--				
stroke [mm]	253	258	258	253	244	248	242	239	234	--	--	total: 2229 mm			
thrust [kN]	771	603	476	373	102.3	226	173	127	88	--	--	max thrust admitted: 175 kN			
oil [dm³]	9.7	7.8	6.1	4.7	3.5	2.8	2.1	1.5	1	--	--	total: 39.3 dm³			

TECHNICAL NOTES AND SPECIFICATIONS

- The normal application of telescopic cylinder is to lift up tipping bodies, loaded with different materials, and consequently discharge this material whilst the cylinder is extended all along its stroke.
- The body weight plus the max payload are the max tipping weight that can be raised by the cylinder. This value, calculated at the max pressure, is a rough indication of the tipping power of the cylinder and must be used as a first criteria for the selection of the cylinder. The real tipping mass can only be calculated by the design engineer of the dump truck, and must take into account the geometry of the dump body and operating conditions. Never exceed the maximum thrust.
- Never exceed maximum pressure.
- The cylinder has been designed for loads along the longitudinal axis: the cylinder is a lifting device only and may not be used as structural member or be subject to side load.
- The ordinary use of telescopic cylinder does not require any coating as the telescopic stages are exposed to atmospheric agents only during the tip-up operation. Therefore telescopic cylinders will be supplied without any coating in absence of any specific requirements.
- H.S.PENTA warranty does not apply to any kind of corrosion of coated or non-coated parts. See terms of warranty.
- Maximum extension speed less than 0.2 m/s.
- Hydraulic oil temperature admitted between -40°C and +100°C.
- In case the cylinders must be stored, do not remove the package. Store them in a dry place, not exposed to rain. Do not store the cylinders for more than 6 (six) months.
- Further specifications see mounting instructions, hydraulic oil specification sheet, user & maintenance manual.

REMARKS

[1998.10.21] [1998.10.21]

Old code: 15B19 (codice vecchio: 15B19)

REVISIONS

2009.03.04 - Aggiornamento dati

01
02
03
04