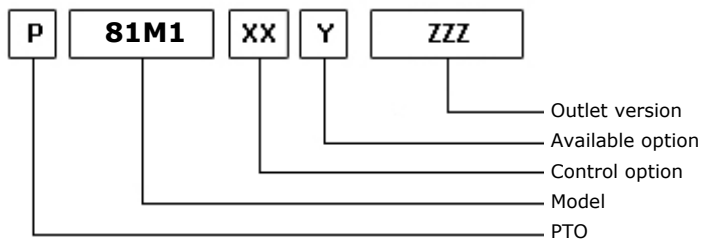
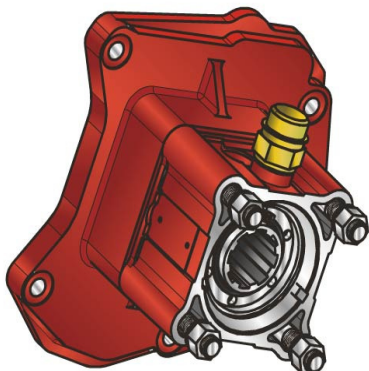




POSSIBLE SOLUTIONS



04/11/2014

TEC. SPECIFICATIONS

	Outlet 1		
Torque (NM)	700	Replaces	2706
Int. Ratio	1,00	Replaced by	
Teeth number	12		

CONTROL TYPE HYDROCAR

Electric Hydraulic Mechanic Fixed engagement Pneumatic Vacuum system

CONTROL VERSIONS (XX)

Type	82z1	Description
P	1	#Cmd. M12x1.5 con raccordo
P	2	#Cmd. M12x1.5 senza racc.

AVAILABLE OPTIONS (Y)

82z1	Description	Lubr. Kit	Switch Kit	Reinforced
0	#Non presente			<input checked="" type="checkbox"/>
4	#Con kit interrut. Kostal		194KSP41000	<input checked="" type="checkbox"/>
5	#Con kit interrut. Merit		194KSP19000	<input checked="" type="checkbox"/>
6	#Con kit interrut. T.D.S.		194KSP40000	<input checked="" type="checkbox"/>
A	#Versione per cambi Euro 2			<input checked="" type="checkbox"/>

OUTLET VERSIONS (ZZZ)

82z1	Description
204	Pump drive SE 4-Bolts



Hydrocar
Hydraulic Energy

81M1

#PTO POS. H. D. MERCEDES G240(ACTROS)

Conversion kit

Pneumatic/Mechanic
Mechanic/Pneumatic
Electric control

#UNI da DIN 5462 (SE)

606X02Z0000

Flange kit

82z1

Description

606X03F0500	DIN 00 x PTO 0081
606X03F0600	DIN 10 x PTO 0081
606X03F0700	SP 1120 x PTO 0081
606X03F0800	SP 1300 x PTO 0081
606X03F0900	KIOKUTO "B"x 0081
606X03F1000	SP 1400 x PTO 0081

Switch kit

82z1

Description

194KSP19000	#Merit M16x1.5 N.C.
194KSP40000	#TDS M 16x1.5 N.C.
194KSP41000	#EATON N.C.

ELECTRIC KITS

82z1

Description

194KE021000	#KIT CAVI P.T.O. X MERCEDES
-------------	-----------------------------



MATCHINGS

Brand	Range	Model	1st Gear ratio	Outlet	Application
MERCEDES		G VERS. EURO 2	0,00	Rear	MB
MERCEDES		G 125 - 9 (NEW)	15,90	Rear	M1
MERCEDES		G 125 -16 (NEW)	11,90	Rear	M1
MERCEDES		G 125 -16 (NEW)	14,00	Rear	M1
MERCEDES		G 125 -16+VOITH	11,90	Rear	M7
MERCEDES		G 131 - 9	14,57	Rear	M8
MERCEDES		G 135 -16 (NEW)	11,90	Rear	M1
MERCEDES		G 135 -16+VOITH	11,90	Rear	M7
MERCEDES		G 155 - 9 (NEW)	15,90	Rear	M1
MERCEDES		G 155 -16 (NEW)	11,90	Rear	M1
MERCEDES		G 155 -16 (NEW)	14,00	Rear	M1
MERCEDES		G 155 -16+VOITH	11,90	Rear	M7
MERCEDES		G 180 -16 (NEW)	11,90	Rear	M1
MERCEDES		G 180 -16 (NEW)	14,00	Rear	M1
MERCEDES		G 180 -16+VOITH	11,90	Rear	M7
MERCEDES		G 181 - 9	20,19	Rear	M8
MERCEDES		G 200 -16 (NEW)	11,90	Rear	M1
MERCEDES		G 200 -16+VOITH	11,90	Rear	M7
MERCEDES		G 201 -12	14,93	Rear	MW
MERCEDES		G 210 -16	11,90	Rear	M8
MERCEDES		G 210 -16	14,20	Rear	M8
MERCEDES		G 210 -16+VOITH	14,20	Rear	M9
MERCEDES		G 210 -18	14,00	Rear	M8
MERCEDES		G 211 -12	14,93	Rear	MW
MERCEDES		G 211 -12+VOITH	14,93	Rear	MY
MERCEDES		G 211 -16	17,00	Rear	M8
MERCEDES		G 211 -16+VOITH	17,00	Rear	M9
MERCEDES		G 221 - 9	16,20	Rear	M8
MERCEDES		G 230 -12	11,67	Rear	MW
MERCEDES		G 231 -16	17,00	Rear	MW
MERCEDES		G 231 -16+VOITH	17,00	Rear	MY
MERCEDES		G 240 -16	11,70	Rear	M8
MERCEDES		G 240 -16+VOITH	11,70	Rear	M9
MERCEDES		G 241 -16	0,00	Rear	MW
MERCEDES		G 248 -16	11,70	Rear	M8
MERCEDES		G 260 -16	9,80	Rear	M8
MERCEDES		G 260 -16+VOITH	9,80	Rear	M9
MERCEDES		G 280 -16	11,70	Rear	M8
MERCEDES		G 281 -12	14,93	Rear	MW
MERCEDES		G 281 -12+VOITH	14,93	Rear	MY
MERCEDES		G 330 -12	11,63	Rear	MW
MERCEDES		G 330 -12+VOITH	11,63	Rear	MY
MERCEDES		POST.A N 206785	11,90	Rear	M1
MERCEDES		POST.A N 206785	14,00	Rear	M1



Hydrocar
Hydraulic Energy

81M1

#PTO POS. H. D. MERCEDES G240(ACTROS)

MATCHINGS

Brand	Range	Model	1st Gear ratio	Outlet	Application
MERCEDES		POST.A N 206785	15,90	Rear	M1
MERCEDES	KL ACTROS EURO5	G 211 -12 KL	14,93	Rear	MW
MERCEDES	KL ACTROS EURO5	G 230 -12 KL	11,67	Rear	MW
MERCEDES	KL ACTROS EURO5	G 230 -16 KL	14,20	Rear	MZ
MERCEDES	KL ACTROS EURO5	G 231 -16 KL	17,00	Rear	MZ
MERCEDES	KL ACTROS EURO5	G 260 -16 KL	9,80	Rear	MZ
MERCEDES	KL ACTROS EURO5	G 280 -16 KL	11,70	Rear	MZ
MERCEDES	KL ACTROS EURO5	G 281 -12 KL	14,93	Rear	MZ
MERCEDES	KL ACTROS EURO5	G 330 -12 KL	11,63	Rear	MZ
MERCEDES	KL ACTROS EURO5	G211-12KL+VOITH	14,93	Rear	MY
MERCEDES	KL ACTROS EURO5	G230-12KL+VOITH	11,67	Rear	MY
MERCEDES	KL ACTROS EURO5	G230-16KL+VOITH	14,20	Rear	MX
MERCEDES	KL ACTROS EURO5	G231-16KL+VOITH	17,00	Rear	MX
MERCEDES	KL ACTROS EURO5	G260-16KL+VOITH	9,80	Rear	MX
MERCEDES	KL ACTROS EURO5	G280-16KL+VOITH	11,70	Rear	MX
MERCEDES	KL ACTROS EURO5	G281-12KL+VOITH	14,93	Rear	MX
MERCEDES	KL ACTROS EURO5	G330-12KL+VOITH	11,63	Rear	MX



Hydrocar
Hydraulic Energy

81M1

#PTO POS. H. D. MERCEDES G240(ACTROS)

