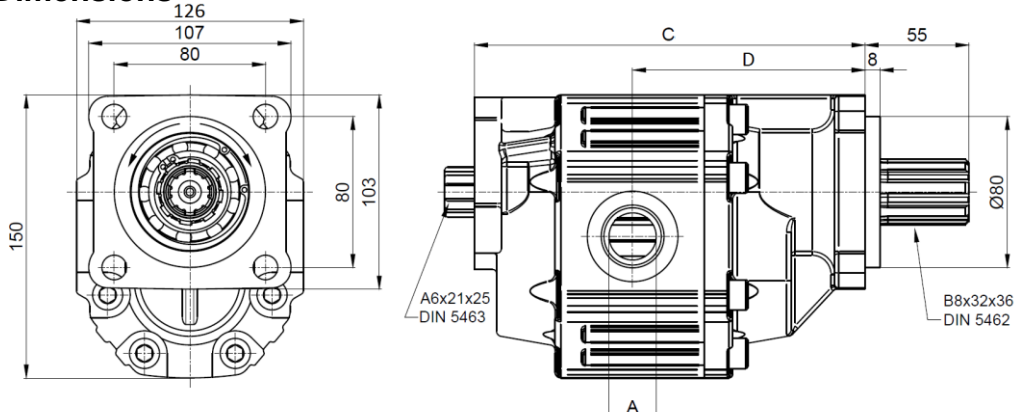




# OIL-HYDRAULIC TANDEM GEAR PUMP

Ref. B34D

## Main Dimensions



Right hand



Left hand

(Dimensions in mm)

## Main Data

Pumps B34D		38	45	52	61	70	82	90	105	115	125	
Displacement	cm <sup>3</sup> /rev	38	46	52	61	70	82	91	102	116	125	
Max. rotation speed	rpm	2600	2500	2200	2000	1900	1800	1800	1600	1600	1500	
Min. rotation speed	rpm	500	500	500	500	500	500	500	500	500	500	
Max. continuous pressure	bar	300	280	260	240	220	210	190	190	180	170	
Max. intermittent pressure (max. 20s)	bar	320	300	280	260	240	230	210	210	200	190	
Max. peak pressure (max. 6s)	bar	335	315	295	275	255	245	225	225	215	205	
Weight	kg	11.1	11.3	11.6	12.2	12.6	13.2	13.6	14.4	15.0	15.6	
Sense of rotation		Bi-directional										
A - Inlet /Outlet (DIN ISO 228)	G (BSP)	3/4"			1"			1 1/4"				
C	mm	180	185	188	196	200	207	213	222	228	235	
D	mm	106	109	112	117	118	123	127	130	132	135	

### How to order:

**Example:** Pump 38cm<sup>3</sup>/rev, continuous pressure up to 300 bar; peak pressure up to 335 bar, ref.B34D → B34D38

**Note:** Usually, used in frontal cylinders

<b>Fluids</b>	mineral oils type ISO HM or DIN 51524-2 HLP
<b>Operating viscosity range</b>	10 to 100 cSt (mm <sup>2</sup> /s) at working temperature
<b>Máx operating limits viscosity</b>	750 cSt
<b>Oil temperature range</b>	-25°C to 80°C
<b>Filtration</b>	>200bar = 10µm <200bar = 25 µm
In the application of any of these pumps; the use of these data does not exempt the reading of the instruction "Gear pumps recommendations before start-up".	

ABER is constantly engaged in improving its products and, therefore, reserves itself the right to modify without any further notice the characteristics shown



**ABER - Embraigens e Comandos Hidráulicos - A. B. LDA**

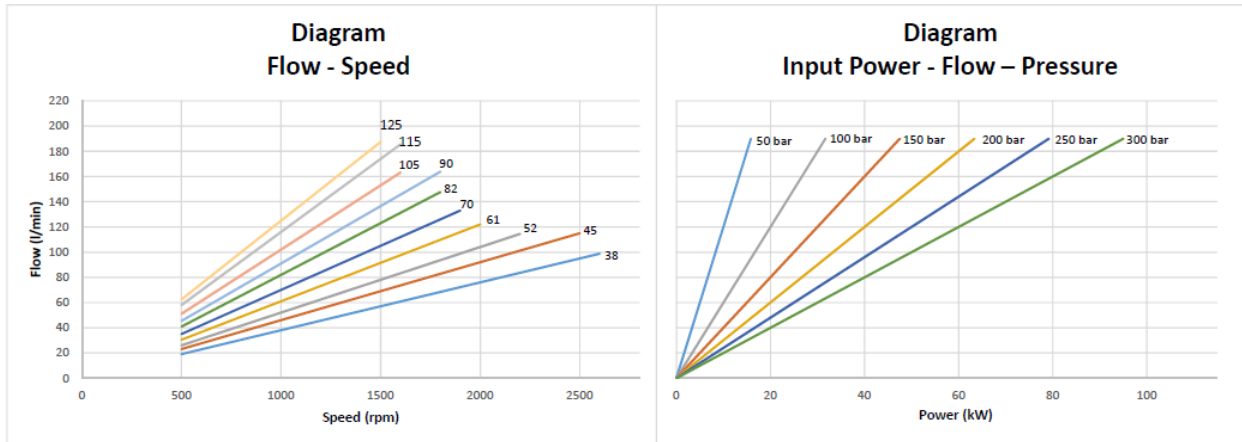
Rua Francisco de Almeida, Nº 30 – Vila Nova da Telha – 4470 MAIA - Portugal

Telephone: +351.22.9438070 Fax: +351.22.9420823 e-mail: [aber@aber.pt](mailto:aber@aber.pt) <http://www.aber.pt>



# OIL-HYDRAULIC TANDEM GEAR PUMP

Ref. B34D



## Hose dimensions

Inlet Hose	
Flow (l/min)	Internal pipe diameter (inch)
30-40	1"1/4
50-60	1"1/2
70-90	1"3/4
100-120	2"
130-150	2"1/4
160-190	2"1/2
200-230	2"3/4
240-270	3"

Outlet Hose				
Flow (l/min)	Internal pipe diameter (inch)			
	50-100	100-150	150-200	200-300
30	1/2"	1/2"	1/2"	1/2"
40	5/8"	1/2"	1/2"	1/2"
50	5/8"	5/8"	5/8"	1/2"
60	3/4"	5/8"	5/8"	5/8"
70	1"	3/4"	3/4"	5/8"
80	1"	3/4"	3/4"	3/4"
90	1"	1"	1"	3/4"
100	1"	1"	1"	1"
110	1"	1"	1"	1"
120	1"	1"	1"	1"
130	1"	1"	1"	1"
140	1"1/4	1"	1"	1"
150	1"1/4	1"	1"	1"
160	1"1/4	1"1/4	1"	1"
170	1"1/4	1"1/4	1"	1"
180	1"1/4	1"1/4	1"1/4	1"
190	1"1/4	1"1/4	1"1/4	1"
200	1"1/2	1"1/4	1"1/4	1"1/4
210	1"1/2	1"1/4	1"1/4	1"1/4
220	1"1/2	1"1/4	1"1/4	1"1/4
230	1"1/2	1"1/2	1"1/4	1"1/4
240	1"1/2	1"1/2	1"1/4	1"1/4
	50-100	100-150	150-200	200-300
	P (bar)			

### Important notes:

- Other axis available, please consult "Axel options".
- Aber recommends that the 1<sup>st</sup> pump has more displacement than the 2<sup>nd</sup> pump.

ABER is constantly engaged in improving its products and, therefore, reserves itself the right to modify without any further notice the characteristics shown



**ABER - Embraigens e Comandos Hidráulicos - A. B. LDA**

Rua Francisco de Almeida, Nº 30 – Vila Nova da Telha – 4470 MAIA - Portugal

Telephone: +351.22.9438070 Fax: +351.22.9420823 e-mail: [aber@aber.pt](mailto:aber@aber.pt) <http://www.aber.pt>