



Installation Information

E-MOLO-TI002-E
May 2006

VIS 30-005 & VIS 40-004 Bearingless Motors and Break Motors

9900348-000 Complete Seal Kit Sheet 1

Eaton Hydraulics
14615 Lone Oak Road
Eden Prairie, MN 55344
Telephone: 952 937-7254
Fax: 952 974-7130
www.eatonhydraulics.com

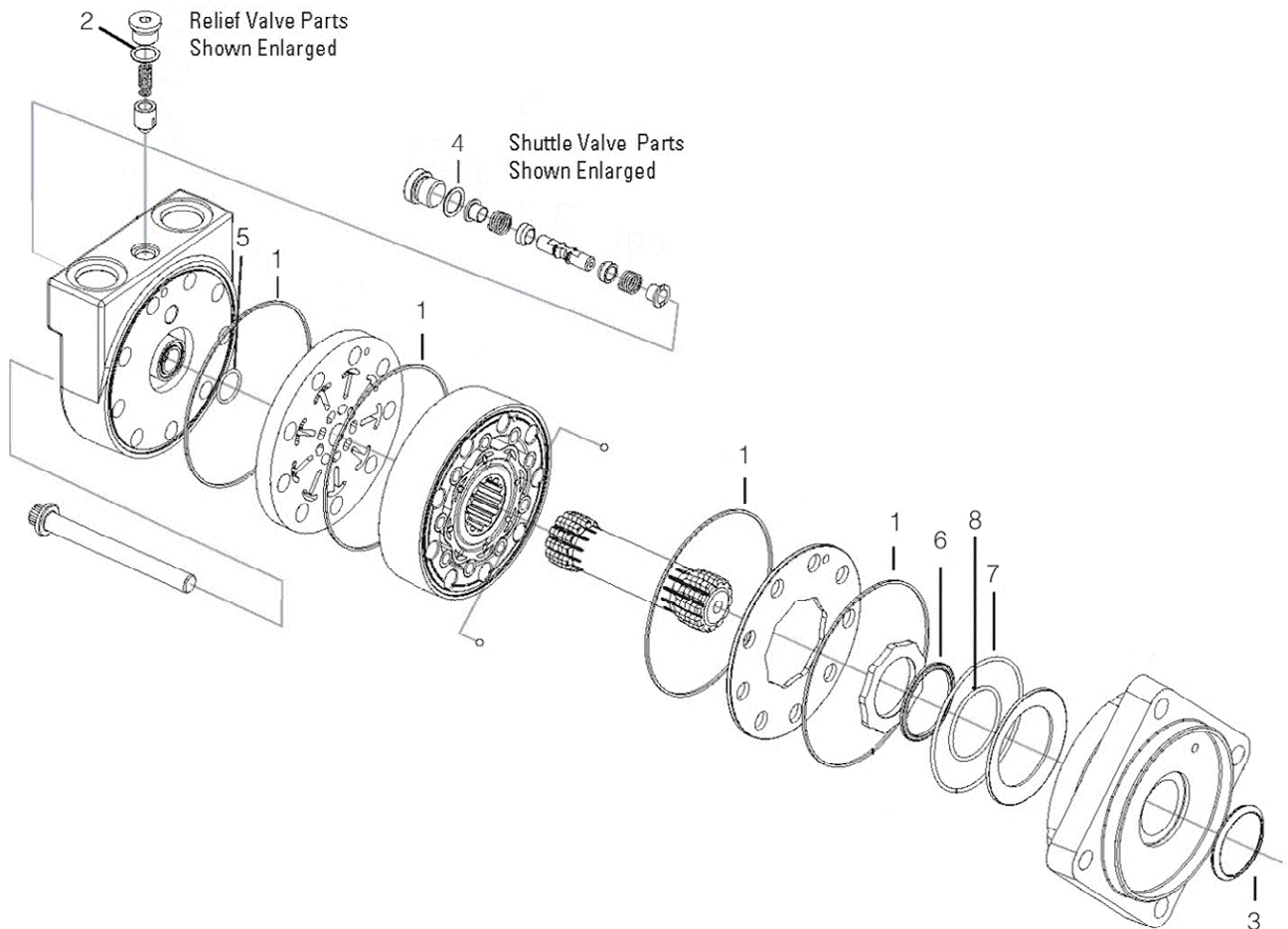
46 New Lane, Havant
Hampshire PO9 2NB
England
Telephone: (44) 170-548-6451
Fax: (44) 170-548-7110

2006
© Eaton Corporation
All Rights Reserved
Printed in USA
May 2006

For more detailed information contact Eaton Hydraulics
14615 Lone Oak Road Prairie, MN 55344.

- Parts and repair for VIS 30 Bearingless E-MOLO-TS001-E
- Specifications and performance data, Catalog E-MOLO-MC001-E

REF NO.	DESCRIPTION	SIZE MM [INCH]	QTY.
1	Seal	131.0[5.16] I.D	4
2	O-ring	10.5[.41] I.D	1
3	Face Seal	45.7[1.80] I.D	1
4	O-ring	11.9[.47] I.D	1
5	O-ring	21.0[.827] I.D	1
6	Ring, back-up	47.7[1.88] I.D	1
7	O-ring	92.3[3.63] I.D	1
8	O-ring	48.8[1.92] I.D	1



VIS 30-005 Only



Installation Information

E-MOLO-TI002-E
May 2006

VIS 30-005 & VIS 40-004 Bearingless Motors and Break Motors

9900348-000 Complete Seal Kit Sheet 2

Eaton Hydraulics
14615 Lone Oak Road
Eden Prairie, MN 55344
Telephone: 952 937-7254
Fax: 952 974-7130
www.eatonhydraulics.com

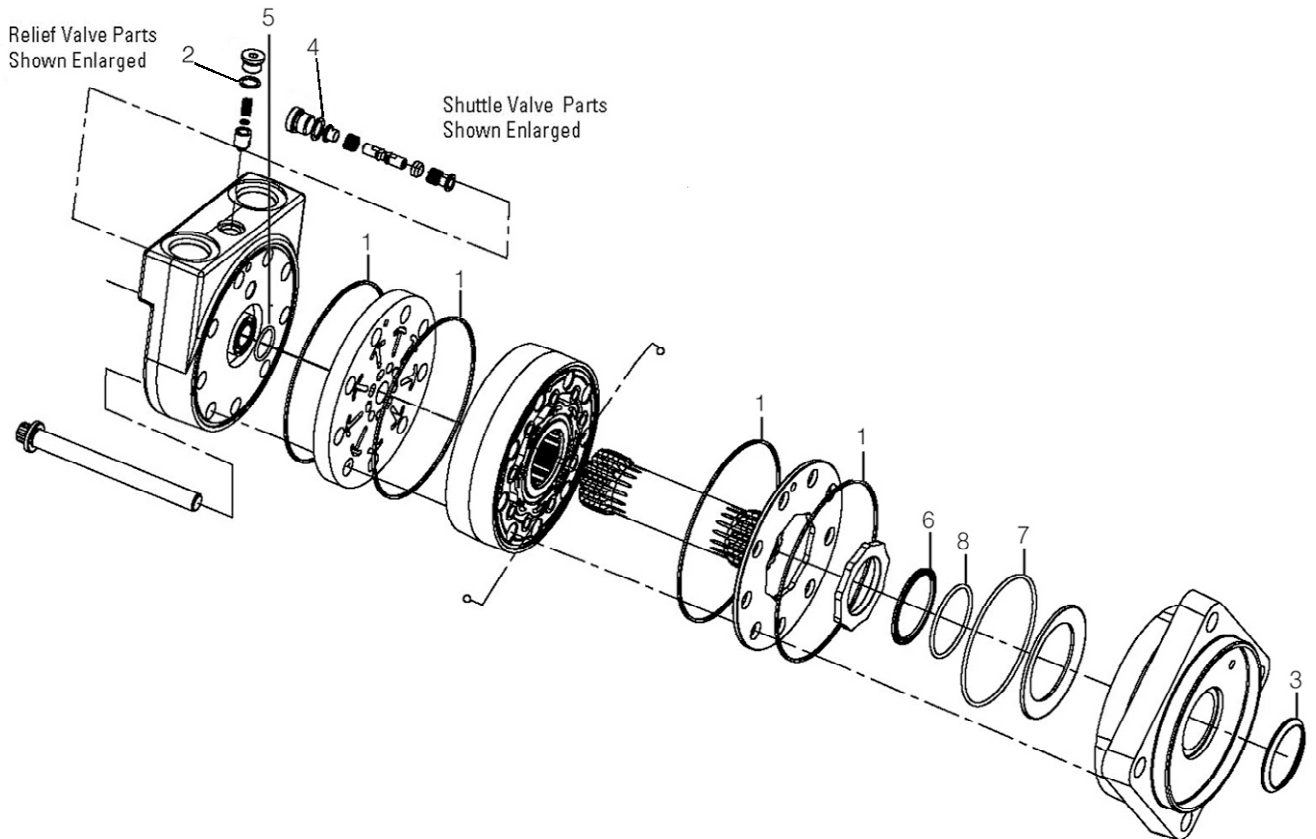
46 New Lane, Havant
Hampshire PO9 2NB
England
Telephone: (44) 170-548-6451
Fax: (44) 170-548-7110

2006
© Eaton Corporation
All Rights Reserved
Printed in USA
May 2006

For more detailed information contact Eaton Hydraulics
14615 Lone Oak Road Prairie, MN 55344.

- Parts and repair for VIS 40 Bearingless E-MOLO-TS002-E
- Specifications and performance data, Catalog E-MOLO-MC001-E

REF NO.	DESCRIPTION	SIZE MM [INCH]	QTY.
1	Seal	131.0[5.16] I.D	4
2	O-ring	10.5[.41] I.D	1
3	Face Seal	45.7[1.80] I.D	1
4	O-ring	11.9[.47] I.D	1
5	O-ring	21.0[.827] I.D	1
6	Ring, back-up	47.7[1.88] I.D	1
7	O-ring	92.3[3.63] I.D	1
8	O-ring	48.8[1.92] I.D	1



VIS 40-004 Only