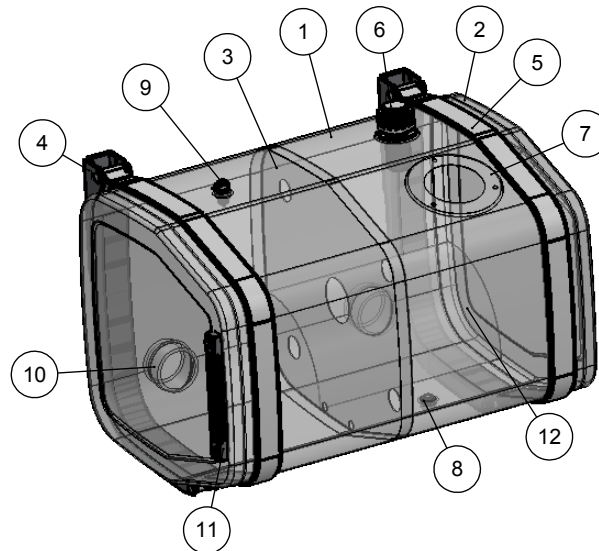
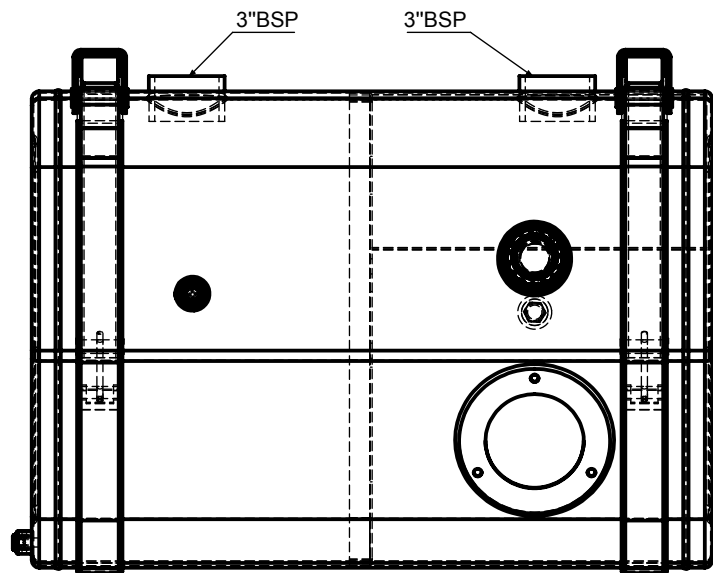


FLANGE DETAIL



ITEM	QTY	DENOMINATION
1	1	Tank Body - 2,5 mm Aluminum
2	2	Side plate - 2,5 mm Aluminum
3	1	Baffle-1
4	2	Bracket Steel - 6mm
5	2	Belt - 2 mm Steel
6	1	Filling Neck
7	1	Filter Flange
8	2	Adapter 3/4"
9	1	Vent 3/4"
10	2	Suction 3"
11	1	Level Indicator
12	1	Baffle-2

	Name Surname	Date	Signature	Weight:	
Draw		03/01/2019		Material:	
Control				Part Name: 590x630x900 ALUMINUM OIL TANK	
Scale	1/10			Explanation: 284 LITER	