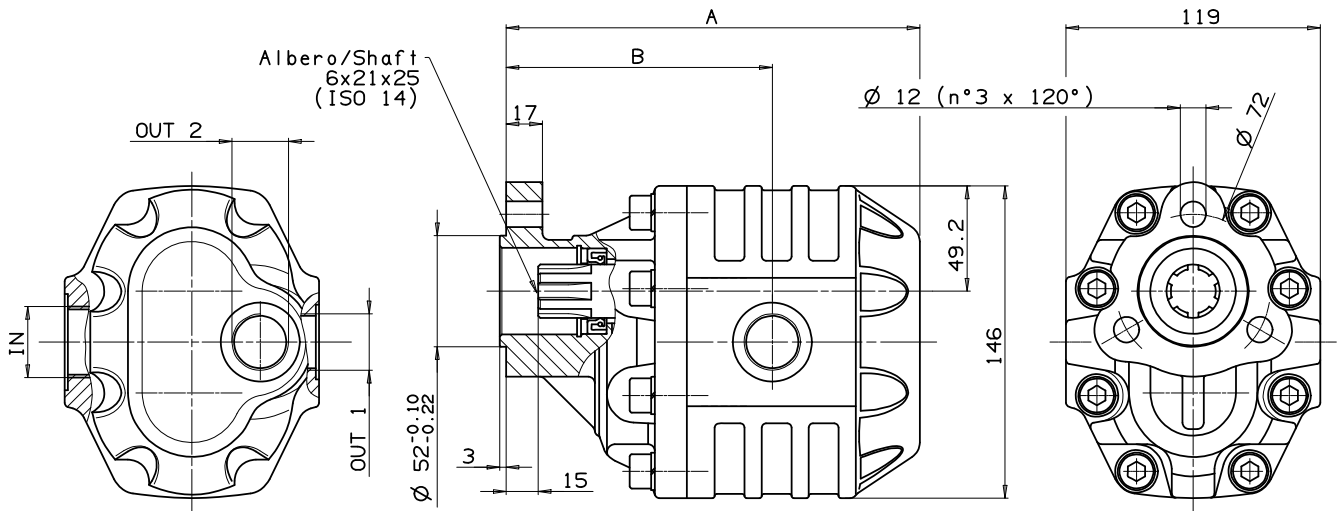


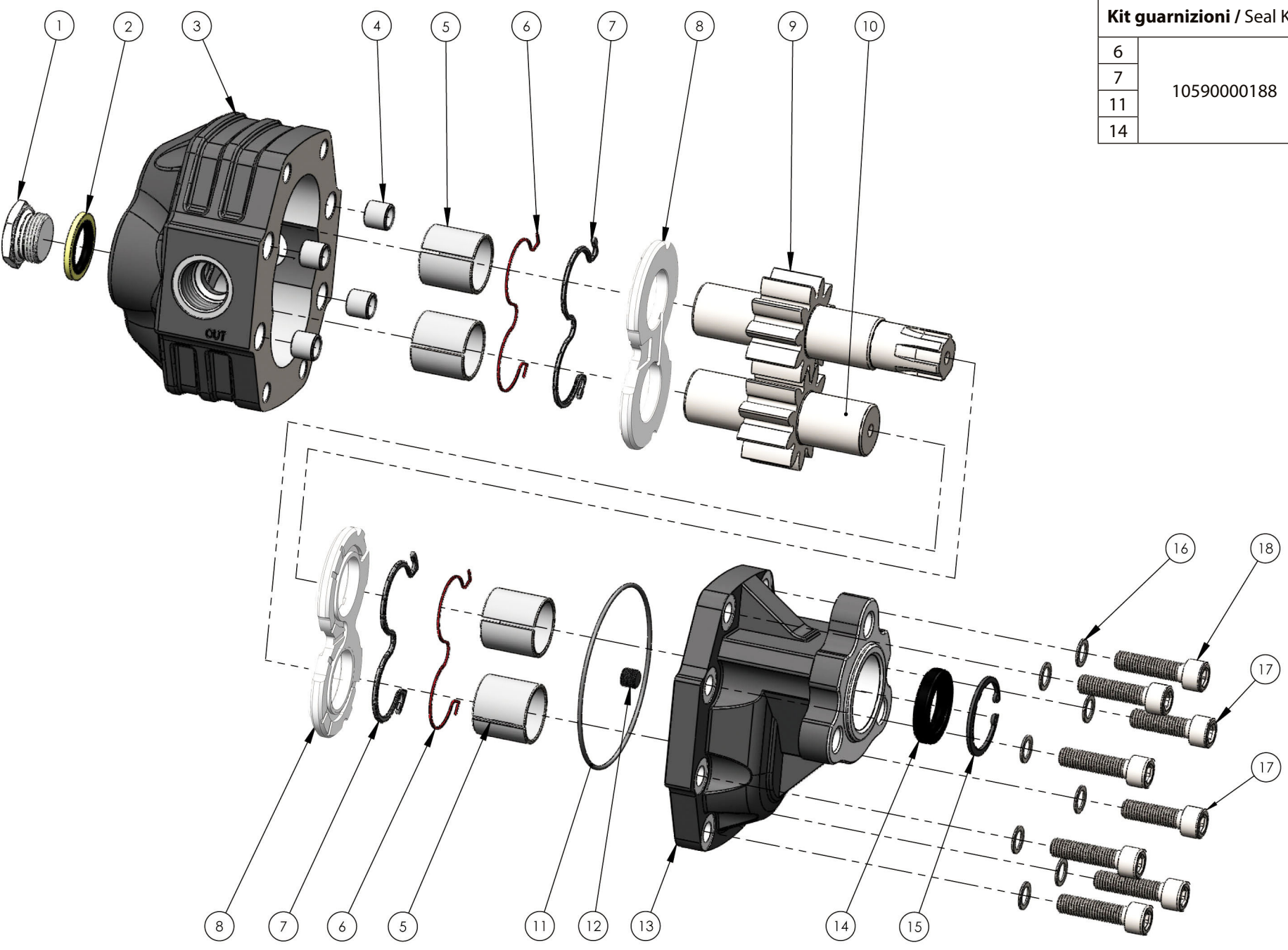
|  |   |          |  |       |      |
|--|---|----------|--|-------|------|
| Fluido idraulico<br><i>Fluid</i>   | Minerale o sintetico compatibile con guarnizioni:<br><i>Mineral or synthetic compatible with the following seals:</i><br>NBR, FKM, FPM, Nylon |          |  |       |      |
| Viscosità cinematica consigliata<br><i>Kinematic viscosity suggested</i>                                       | T media ambiente (°C)<br><i>Average ambient temp. (°C)</i>  | < -10    | -10÷10   | 10÷35 | > 35 |
|  | VG (cSt = mm <sup>2</sup> /s)   | 22       | 32   | 46    | 68   |
| Viscosità cinematica ottimale di esercizio<br><i>Optimale kinematic viscosity</i>                              |   |          | VG= 10 cSt ÷ 100 cSt                                   |       |      |
| Viscosità cinematica max consentita all'avviamento<br><i>Max kinematic viscosity suggested at the start-up</i> |   |          | VG= 750 cSt  |       |      |
| Indice di viscosità consigliato<br><i>Viscosity index suggested</i>  |   | VI > 100 | Temperatura di esercizio<br><i>Working temperature</i> |       |      |
|  |   |          | -15°C +100°C   |       |      |
| Grado di filtrazione<br><i>Oil filtering</i>   |   |          | > 200 bar: 10 µm<br>< 200 bar: 25 µm                   |       |      |
| Pressione di aspirazione<br><i>Inlet pressure</i>  |   |          | -0,3 ÷ 2 bar   |       |      |
| Senso di rotazione<br><i>Pump rotation</i>   |   |          | Unidirezionale<br><i>Unidirectional</i>                |       |      |

**Ingombro / Dimensions**

**Dati tecnici / Technical data**

| Tipo pompa<br><i>Pump type</i> | Rotazione<br><i>Rotation</i> |                 | IN      | OUT 1   | OUT 2   | A     | B     | Peso<br><i>Weight</i> |
|--------------------------------|------------------------------|-----------------|---------|---------|---------|-------|-------|-----------------------|
|                                | Destra / Right               | Sinistra / Left |         |         |         |       |       |                       |
|                                |                              |                 | ISO 228 | ISO 228 | ISO 228 | mm    | mm    | Kg                    |
| <b>NPH-17</b>                  | 10501100175                  | 10501100184     | G 1/2   | G 1/2   |         | 152.5 | 103.5 | 8.5                   |
| <b>NPH-22</b>                  | 10501100228                  | 10501100237     |         |         |         | 156   | 105.5 | 9                     |
| <b>NPH-27</b>                  | 10501100273                  | 10501100282     | G 3/4   |         |         | 158.5 | 108   | 9.5                   |
| <b>NPH-34</b>                  | 10501100344                  | 10501100353     |         |         |         | 163.5 | 109   | 10.5                  |
| <b>NPH-43</b>                  | 10501100433                  | 10501100442     | G 1     |         |         | 169.5 | 114   | 11                    |
| <b>NPH-51</b>                  | 10501100513                  | 10501100522     |         |         |         | 174.5 | 114.5 | 11.5                  |
| <b>NPH-61</b>                  | 10501100611                  | 10501100620     | G 1     |         |         | 180.5 | 120.5 | 12                    |
| <b>NPH-73</b>                  | 10501100737                  | 10501100746     |         |         |         | 188.5 | 119.5 | 12.5                  |
| <b>NPH-82</b>                  | 10501100826                  | 10501100835     | G 1 1/4 |         |         | 193.5 | 124.5 | 13                    |
| <b>NPH-90</b>                  | 10501100906                  | 10501100915     |         |         |         | 204.5 | 132.5 | 13.5                  |
| <b>NPH-100</b>                 | 10501101003                  | 10501101012     | G 1 1/4 | G 1     | G 3/4   | 210.5 | 138.5 | 14                    |
| <b>NPH-125</b>                 | 10501101254                  | 10501101263     |         |         |         | 226.5 | 142.5 | 16                    |

**Kit guarnizioni / Seal Kit**

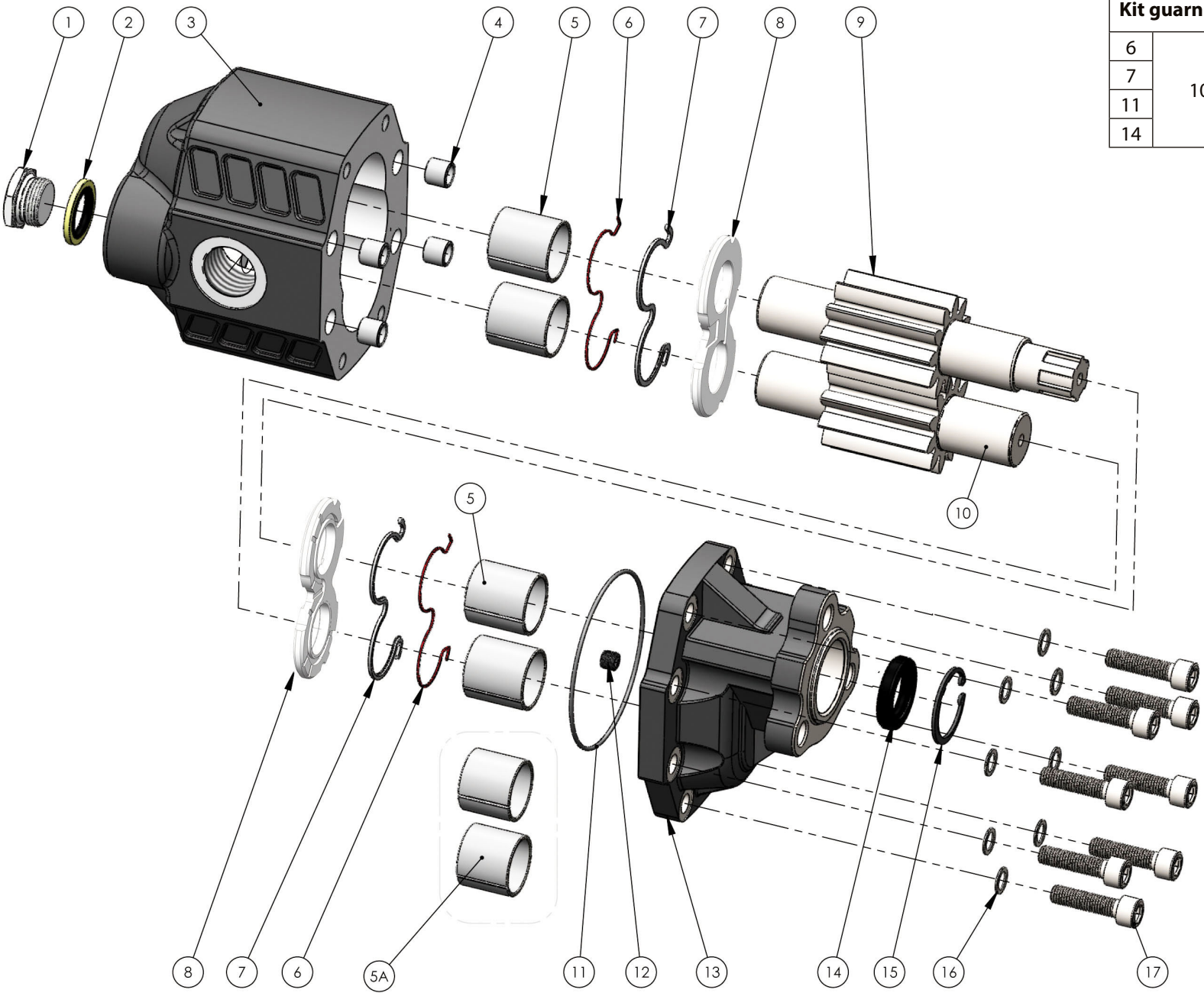
|    |             |
|----|-------------|
| 6  | 10590000188 |
| 7  |             |
| 11 |             |
| 14 |             |



| N° | 17 | 22 | 27 | 34 | 43 | 51 | 61 | 73 | 82          | Codice/Code   | Descrizione / Description          | Q.                       |   |
|----|----|----|----|----|----|----|----|----|-------------|---------------|------------------------------------|--------------------------|---|
| 1  | .  | .  | .  |    |    |    |    |    |             | 54000200110   | Tappo Acciaio 1/2"                 | Steel plug 1/2"          | 1 |
|    |    |    |    | .  | .  | .  | .  | .  | .           | 54000200129   | Tappo Acciaio 3/4"                 | Steel plug 3/4"          |   |
| 2  | .  | .  | .  |    |    |    |    |    |             | 11600910129   | Rondella acciaio-gomma 1/2"        | Steel-rubber washer 1/2" | 1 |
|    |    |    |    | .  | .  | .  | .  | .  | .           | 11600910343   | Rondella acciaio-gomma 3/4"        | Steel-rubber washer 3/4" |   |
| 3  | .  |    |    |    |    |    |    |    |             | 51701000173   | Corpo pompa                        | Gear housing             | 1 |
|    |    | .  |    |    |    |    |    |    |             | 51701000226   |                                    |                          |   |
|    |    |    | .  |    |    |    |    |    |             | 51701000271   |                                    |                          |   |
|    |    |    |    | .  |    |    |    |    |             | 51701000342   |                                    |                          |   |
|    |    |    |    |    | .  |    |    |    |             | 51701000431   |                                    |                          |   |
|    |    |    |    |    |    | .  |    |    |             | 51701000511   |                                    |                          |   |
|    |    |    |    |    |    |    | .  |    |             | 51701000619   |                                    |                          |   |
|    |    |    |    |    |    |    | .  |    | 51701000717 |               |                                    |                          |   |
|    |    |    |    |    |    |    |    | .  | 51701000824 |               |                                    |                          |   |
| 4  | .  | .  | .  | .  | .  | .  | .  | .  | .           | 50100300282   | Spine forate di centraggio 14x12.5 | Pins 14x12.5             | 4 |
| 5  | .  | .  | .  | .  | .  | .  | .  | .  | .           | 53300400033   | Boccola autolub. 28x32x30          | Bushing 28x32x30         | 4 |
| 6  | .  | .  | .  | .  | .  | .  | .  | .  | .           | 50600001097   | Guarnizione antiestrusione         | Back-up ring             | 2 |
| 7  | .  | .  | .  | .  | .  | .  | .  | .  | .           | 50600001088   | Guarnizione per rasamento          | Thrust plate seal        | 2 |
| 8  | .  | .  | .  | .  | .  | .  | .  | .  | .           | 51001000293   | Rasamento ad occhiale              | Thrust plate             | 2 |
| 9  | .  |    |    |    |    |    |    |    |             | 52302000178   | Albero dentato conduttore          | Drive shaft              | 1 |
|    |    | .  |    |    |    |    |    |    |             | 52302000221   |                                    |                          |   |
|    |    |    | .  |    |    |    |    |    |             | 52302000276   |                                    |                          |   |
|    |    |    |    | .  |    |    |    |    |             | 52302000347   |                                    |                          |   |
|    |    |    |    |    | .  |    |    |    |             | 52302000436   |                                    |                          |   |
|    |    |    |    |    |    | .  |    |    |             | 52302000516   |                                    |                          |   |
|    |    |    |    |    |    |    | .  |    |             | 52302000614   |                                    |                          |   |
|    |    |    |    |    |    |    | .  |    | 52302000712 |               |                                    |                          |   |
|    |    |    |    |    |    |    |    | .  | 52302000829 |               |                                    |                          |   |
| 10 | .  |    |    |    |    |    |    |    |             | 52302100177   | Albero dentato condotto            | Driven shaft             | 1 |
|    |    | .  |    |    |    |    |    |    |             | 52302100220   |                                    |                          |   |
|    |    |    | .  |    |    |    |    |    |             | 52302100275   |                                    |                          |   |
|    |    |    |    | .  |    |    |    |    |             | 52302100346   |                                    |                          |   |
|    |    |    |    |    | .  |    |    |    |             | 52302100435   |                                    |                          |   |
|    |    |    |    |    |    | .  |    |    |             | 52302100515   |                                    |                          |   |
|    |    |    |    |    |    |    | .  |    |             | 52302100613   |                                    |                          |   |
|    |    |    |    |    |    |    | .  |    | 52302100711 |               |                                    |                          |   |
|    |    |    |    |    |    |    |    | .  | 52302100828 |               |                                    |                          |   |
| 11 | .  | .  | .  | .  | .  | .  | .  | .  | .           | 50600001579   | Guarnizione OR (2x95)              | O-ring (2x95)            | 1 |
| 12 | .  | .  | .  | .  | .  | .  | .  | .  | .           | 50401000063   | Grano conico 1/8"                  | Plug 1/8"                | 1 |
| 13 | .  | .  | .  | .  | .  | .  | .  | .  | .           | 51800300107   | Coperchio anteriore                | Mounting cover           | 1 |
| 14 | .  | .  | .  | .  | .  | .  | .  | .  | .           | 50602425401   | Guarnizione paraolio               | Oil seal                 | 1 |
| 15 | .  | .  | .  | .  | .  | .  | .  | .  | .           | 50100100373   | Anello elastico                    | Circlip                  | 1 |
| 16 | .  | .  | .  | .  | .  | .  | .  | .  | .           | 50102000101   | Rondella elastica                  | Washer                   | 8 |
| 17 |    |    |    |    |    |    |    | .  |             | 50200400565   | Vite TCE M10x35                    | Screw M10x35             | 2 |
| 18 | .  | .  | .  | .  | .  | .  | .  | .  |             | 502-004-00574 | Vite TCE M10x40                    | Screw M10x40             | 8 |
|    |    |    |    |    |    |    |    | .  | 6           |               |                                    |                          |   |

**Kit guarnizioni / Seal Kit**

|    |             |
|----|-------------|
| 6  | 10590000320 |
| 7  |             |
| 11 |             |
| 14 |             |



| N° | 90 | 100 | 125 | Codice/Code | Descrizione / Description          |                          | Q. |
|----|----|-----|-----|-------------|------------------------------------|--------------------------|----|
| 1  | .  | .   | .   | 54000200129 | Tappo Acciaio 3/4"                 | Steel plug 3/4"          | 1  |
| 2  | .  | .   | .   | 11600910343 | Rondella acciaio-gomma 3/4"        | Steel-rubber washer 3/4" | 1  |
| 3  | .  |     |     | 51701000904 | Corpo pompa                        | Gear housing             | 1  |
|    |    | .   |     | 51701000995 |                                    |                          |    |
|    |    |     | .   | 51701001252 |                                    |                          |    |
| 4  | .  | .   | .   | 50100300282 | Spine forate di centraggio 14x12.5 | Pins 14x12.5             | 4  |
| 5  | .  |     |     | 53300400060 | Boccola autolub. 30x34x35          | Bushing 30x34x35         | 2  |
|    |    | .   | .   |             |                                    |                          | 4  |
| 5a | .  |     |     | 53300400355 | Boccola autolub. 30x34x30          | Bushing 30x34x30         | 2  |
| 6  | .  | .   | .   | 50600001284 | Guarnizione antiestrusione         | Back-up ring             | 2  |
| 7  | .  | .   | .   | 50600001275 | Guarnizione per rasamento          | Thrust plate seal        | 2  |
| 8  | .  | .   | .   | 51001000346 | Rasamento ad occhiale              | Thrust plate             | 2  |
| 9  | .  |     |     | 52302300906 | Albero dentato conduttore          | Drive shaft              | 1  |
|    |    | .   |     | 52302301003 |                                    |                          |    |
|    |    |     | .   | 52302301254 |                                    |                          |    |
| 10 | .  |     |     | 52302300915 | Albero dentato condotto            | Driven shaft             | 1  |
|    |    | .   |     | 52302301012 |                                    |                          |    |
|    |    |     | .   | 52302301263 |                                    |                          |    |
| 11 | .  | .   | .   | 50600001579 | Guarnizione OR (2x95)              | O-ring (2x95)            | 1  |
| 12 | .  | .   | .   | 50401000063 | Grano conico 1/8"                  | Plug 1/8"                | 1  |
| 13 | .  |     |     | 51800300518 | Coperchio anteriore                | Mounting cover           | 1  |
|    |    | .   | .   | 51800300134 |                                    |                          |    |
| 14 | .  | .   | .   | 50602425401 | Guarnizione paraolio               | Oil seal                 | 1  |
| 15 | .  | .   | .   | 50100100373 | Anello elastico                    | Circlip                  | 1  |
| 16 | .  | .   | .   | 50102000101 | Rondella elastica                  | Washer                   | 8  |
| 17 | .  | .   | .   | 50200400574 | Vite TCE M10x40                    | Screw M10x40             | 8  |

**CARATTERISTICHE TECNICHE DI FUNZIONAMENTO - TECHNICAL FEATURES**

| Tipo pompa<br>Pump type | Cilindrata<br>Displacement<br><br>cm <sup>3</sup> /rev | Pressione<br>Pressure |     |     | Velocità max.<br>continua<br>Max. continuous<br>speed<br><br>rpm | Velocità max.<br>intermittente<br>Max. intermittent<br>speed<br><br>rpm | Velocità<br>min.<br>Min. speed<br><br>rpm |
|-------------------------|--|-----------------------|-----|-----|--|---|---|
|                         |  | P1                    | P2  | P3  |  |   |   |
|                         |  | bar                   | bar | bar |  |   |   |
| <b>NPH-17</b>           | 17.04  | 290                   | 315 | 325 | 2500   | 3000  | 300                                       |
| <b>NPH-22</b>           | 22.15  |                       |     |     |  |   |   |
| <b>NPH-27</b>           | 26.18  |                       |     |     |  |   |   |
| <b>NPH-34</b>           | 33.88  | 280                   | 300 | 310 | 2200   | 2800  |   |
| <b>NPH-43</b>           | 43.12  | 270                   | 290 | 300 | 2000   | 2500  |   |
| <b>NPH-51</b>           | 50.82  | 240                   | 260 | 280 |  |   |   |
| <b>NPH-61</b>           | 60.06  | 220                   | 240 | 250 | 1900   | 2500  |   |
| <b>NPH-73</b>           | 72.88  | 205                   | 225 | 230 | 1900   | 2500  |   |
| <b>NPH-82</b>           | 81.08  | 205                   | 225 | 230 | 1900   | 2500  |   |
| <b>NPH-90</b>           | 90.43  | 180                   | 200 | 220 | 1900   | 2500  |   |
| <b>NPH-100</b>          | 98.18  | 180                   | 200 | 220 | 1500   | 1800  |   |
| <b>NPH-125</b>          | 122.72   | 160                   | 180 | 200 | 1500   | 1800  |   |

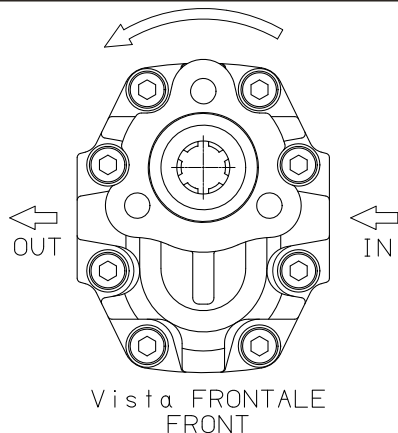
P1=Pressione max.continua  
 P2=Pressione max. intermittente  
 P3=Pressione max. di punta

Max. continuous pressure  
 Max. Intermittent pressure  
 Max. peak pressure

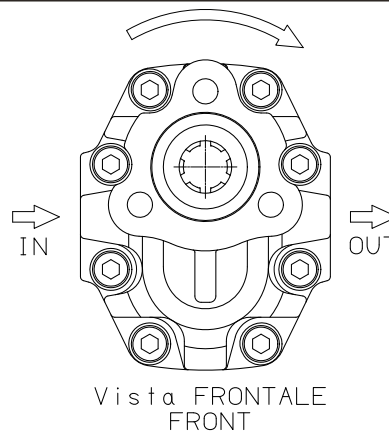
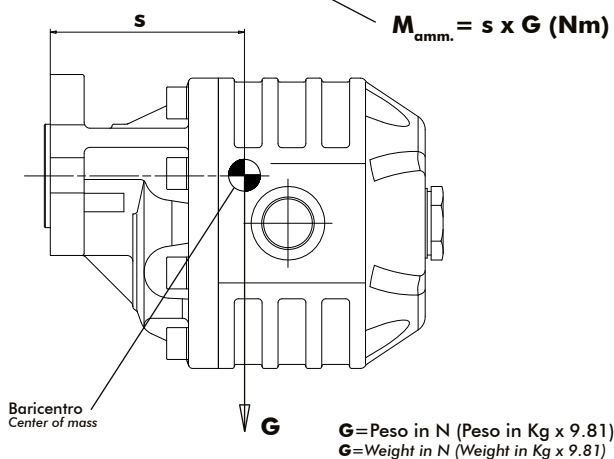
(100%)  
 (20 sec.max.)  
 (6 sec.max)

**IDENTIFICAZIONE ASPIRAZIONE/MANDATA / SUCTION/DELIVERY IDENTIFICATION:**

**Rotazione antioraria, pompa sinistra**  
 Anti-clockwise rotation, left pump



**Rotazione oraria, pompa destra**  
 Clockwise rotation, right pump


**MOMENTO PESO / MASS MOMENT**


| Tipo pompa - Pump type | S   |
|------------------------|-----|
| <b>NPH-17</b>          | 93  |
| <b>NPH-22</b>          | 94  |
| <b>NPH-27</b>          | 96  |
| <b>NPH-34</b>          | 99  |
| <b>NPH-43</b>          | 101 |
| <b>NPH-51</b>          | 103 |
| <b>NPH-61</b>          | 106 |
| <b>NPH-73</b>          | 110 |
| <b>NPH-82</b>          | 113 |
| <b>NPH-90</b>          | 120 |
| <b>NPH-100</b>         | 122 |
| <b>NPH-125</b>         | 130 |

**PER MODIFICARE IL SENSO DI ROTAZIONE VEDERE ISTRUZ. 99700200042**  
 TO CHANGE THE DIRECTION OF ROTATION SEE INSTRUCTION 99700200042