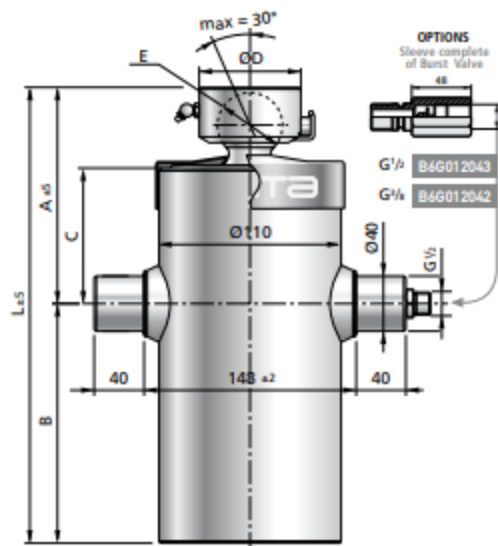
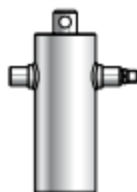


# L 90

EFFECTIVE DIAMETER [mm] 90 • 75 • 60 • 45 • 30



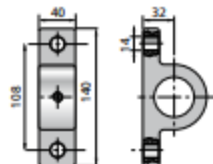
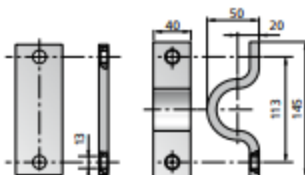
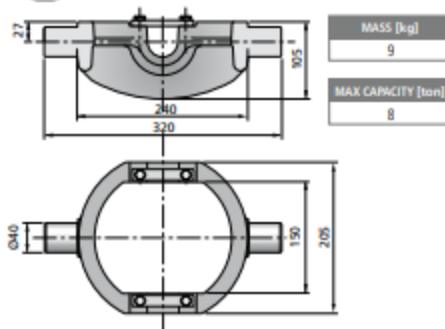
OPTION with ROD EYE - PINS



OPTION with ROD EYE - LOWER PINS



## ACCESSORIES

**CYLINDER SUPPORT • PAIR** A70040001

**CRADLE SUPPORT • PAIR** A60040001

**CRADLE** A5L060001


## L 90 TECHNICAL DATA

MODEL	CODE	EXTENSIONS N.	POWER STROKE [mm]	MASS [kg]	WORKING VOLUME [dm <sup>3</sup> ]	MAX. WORKING PRESSURE [bar]	TIPPING CAPACITY [ton]	L	A	B	C	D	E
								[mm]					
BL475 1200 90 3	3104750903001	3	1200	35	5,4	220	5-14	578	180	398	108	92	58
BL360 1140 90 4	3103600904001	4	1140	25	4,3	220	5-11	445	156	289	100	74	43
BL360 850 90 3	3103600903001	3	850	26	3,8	220	5-14	445	156	289	100	74	43
BL320 1250 90 5	3103200905001	5	1250	25	4	220	4-8	405	155	250	100	74	43
BL320 985 90 4	3103200904001	4	985	23	3,7	220	5-11	405	155	250	100	74	43
BL275 820 90 4	3102750904001	4	820	20	3,1	220	5-11	363	155	208	100	74	43
BL245 680 90 4	3102450904001	4	680	19	2,5	220	5-11	328	152	176	97	74	43