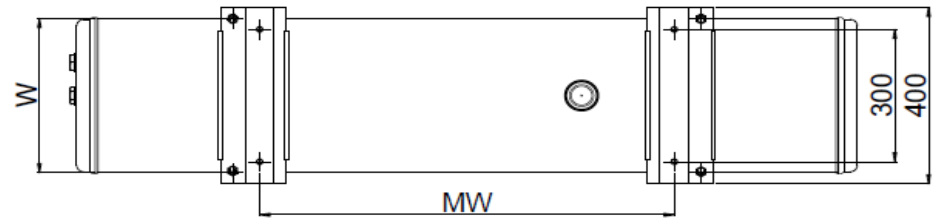
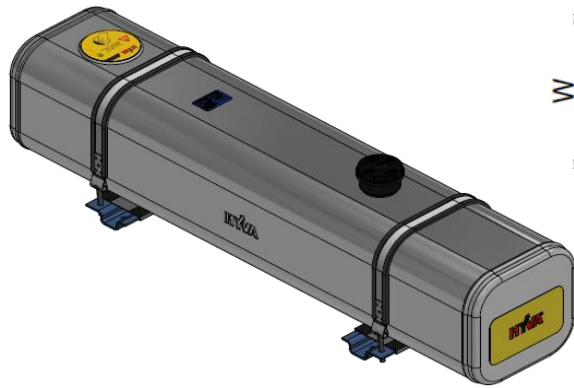
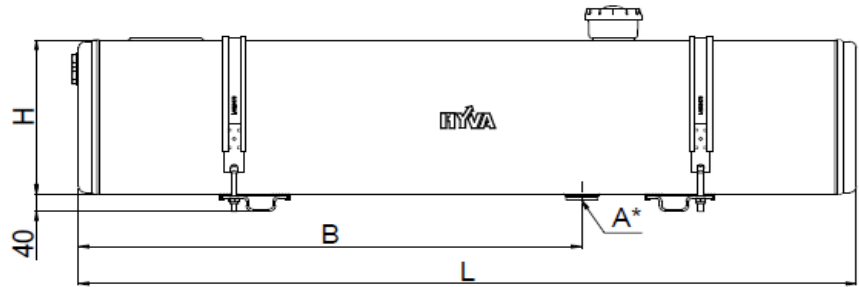
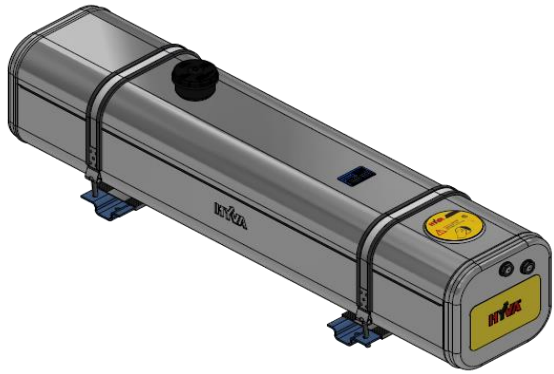


Long Low



3D model is available on request

## Specifications

Support Configuration.	Tank		
	14015076	14015077	
Part number	14015076	14015077	
*Air breather, strap, strap rubber, supports & support rubber included with the tank	YES	YES	
Material	Aluminium	Aluminium	
W: Width	350	350	mm
H: Height	350	350	mm
L: Length	1600	1370	mm
MW: Mounting width	850	670	mm
B : Distance to suction port	1035	450	mm
Gross volume	177	152	litres
Working volume 1	144	123	litres
Working volume 2	128	109	litres
Weight of tank	28	26	kg
A: Suction port**	1.5"	1.5"	BSP

\*Air breather is in the tank packaging and Return line filters must be ordered separately.

\*\*The suction port (A) is closed with a temporary plastic plug.

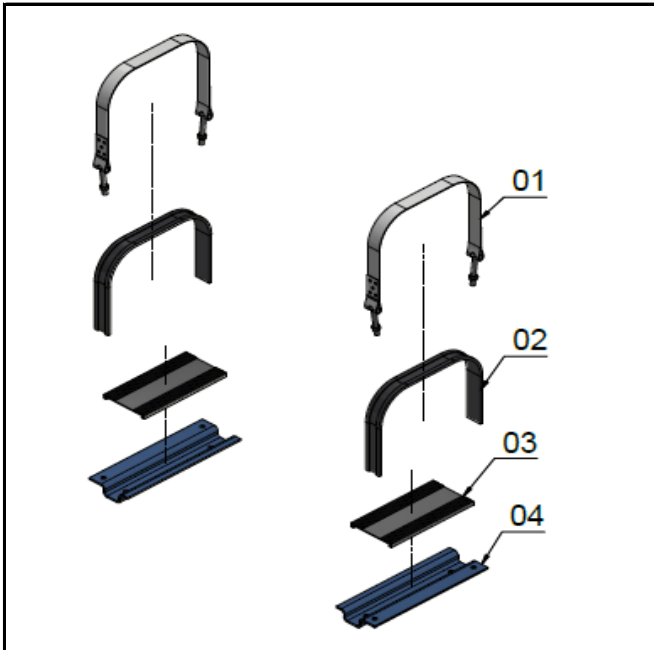
## Technical notes

- Mount the tank according the mounting instructions • Fill the tank with the recommended hydraulic oil to the centre of the level indicator
- Change the oil once a year • Replace the air breather and return filter element twice a year • Do not use the tank to stand on or as a support
- Do not weld on the oil tank

## Related documentation

Mounting instructions: OIL-0025

Oil specifications: OIL-0011

**Support & strap rubbers**

**Full kit**

No.	Part no.	Description
-	14221615	Standard support kit for LLRM oil tank*

\* Full kit = 2 x the separate mounting parts (strap with T-bolt and nut (1), rubber for strap (2), rubber for support (3) and supports (4).

**Spare parts**

No.	Part no.	Description
01	14020471	Strap 858 x 40 mm for LLRM oil tank
02	14020357	Strap rubber 780 x 40 mm for LLRM oil tank
03	14221617	Support rubber 305 x 137 mm for LLRM oil tank
04	14221616	Support 400 x 35 mm for LLRM oil tank

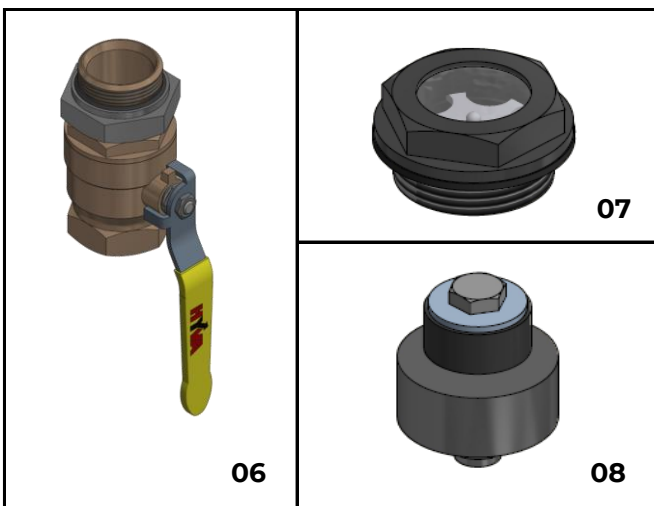
**Attention! : All mounting parts are included with tank**

**Air breather**


No.	Part no.	Description	Weight [kg]
05	08102116	Air breather	0.4

**Attention! : Air breather included with tank.**

For Air breather spec. sheet see DO-E 08102116

**Accessories / Spare parts**


No.	Part no.	Description	Weight [kg]
06	14780981	Ball valve 1 1/2" BSP*	1.2
07	08102121	Plastic spy eye 1" BSP (with gasket)**	0.017
08	08101078	Vibration Damper	0.2

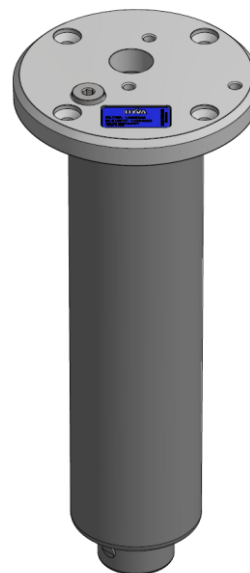
\*For more suction component see LPADAP01

\*\*Attention! : Spy eye included with Tank

### Return filters



09



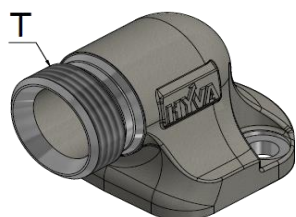
10

No.	Part no.	Description	Weight [kg]
09	14780358	Return filter housing type	2.7
10	14895926	Return filter plate type	1.9

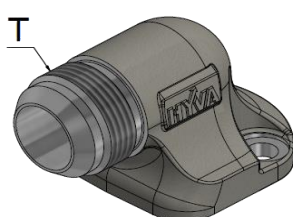
Attention! : Return line filters are not included with tank. To be ordered separately.

For Return line filter spec. sheet see RFILTE02

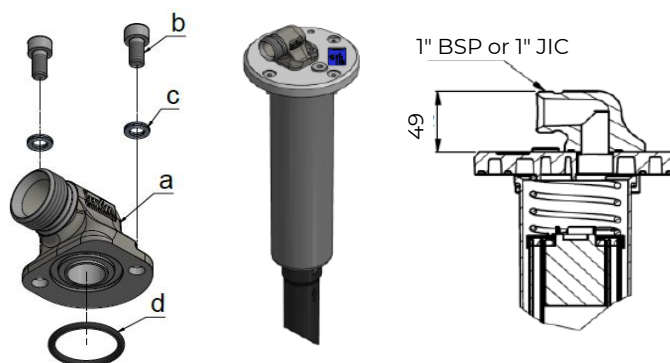
### Option adaptor for plate filter



11



12

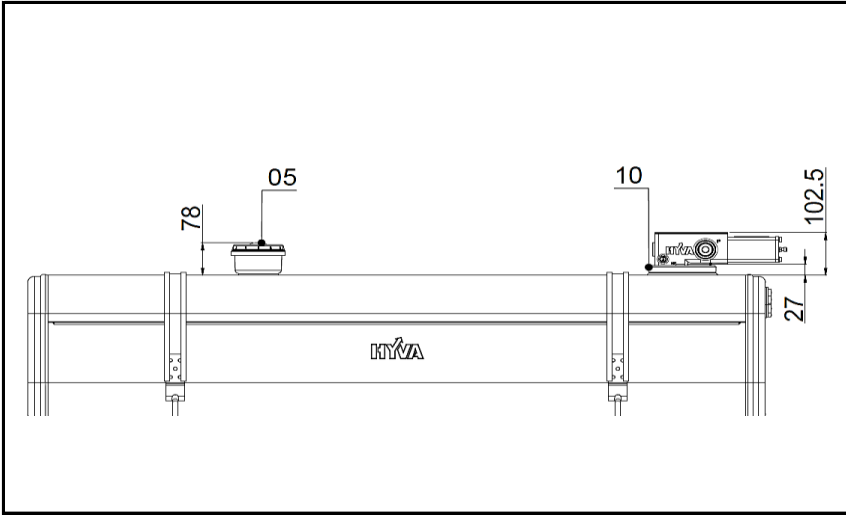


No.	Part no.	Description	Thread size (T)	Qty
11	01317987	Adaptor kit 90 for return filter	1" BSPOTC	1
12	01317988	Adaptor kit 90 for return filter	1" JICOTC	1

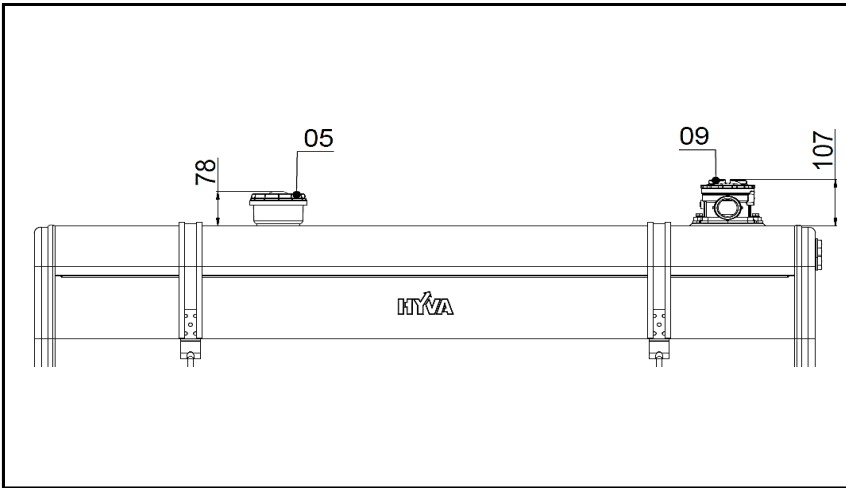
No.	Description	Qty
a	Adaptor-90-elbow-1" BSPOTC	1
	Adaptor-90-elbow-1" JICOTC	
b	Bolt HSHC M8x16x1.25 DIN 912 ZP	2
c	Nord-lock washer M8	2
d	O-Ring 34.60x2.62	1

Note : O-rings, bolts & washers are included with adaptor

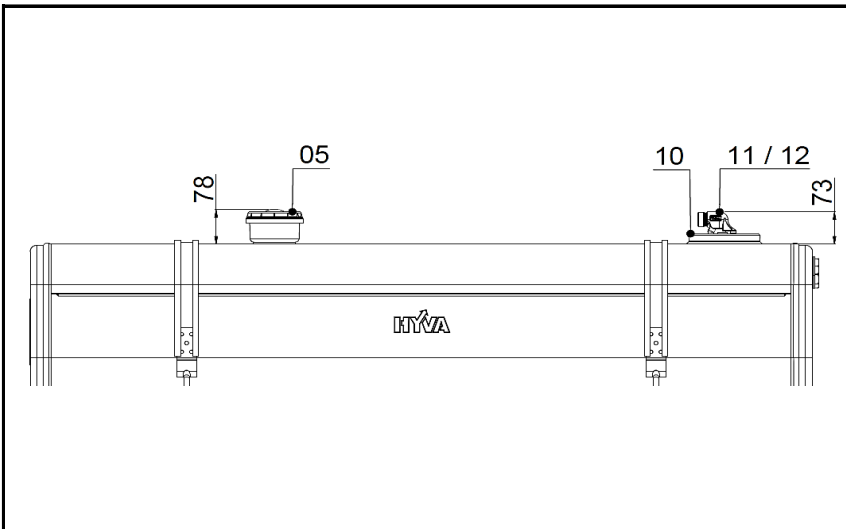
**Valve mounting options**



**Valve mounted on top of tank**



**Valve mounted on chassis or cylinder (SAE)**



**Valve mounted on chassis or cylinder with Return line Plate version**