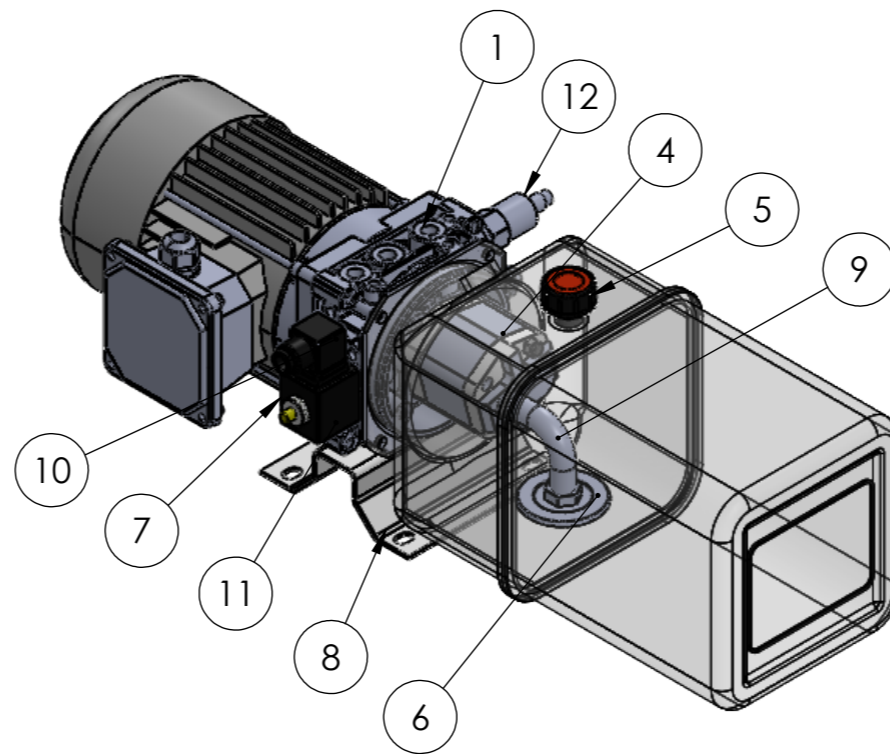
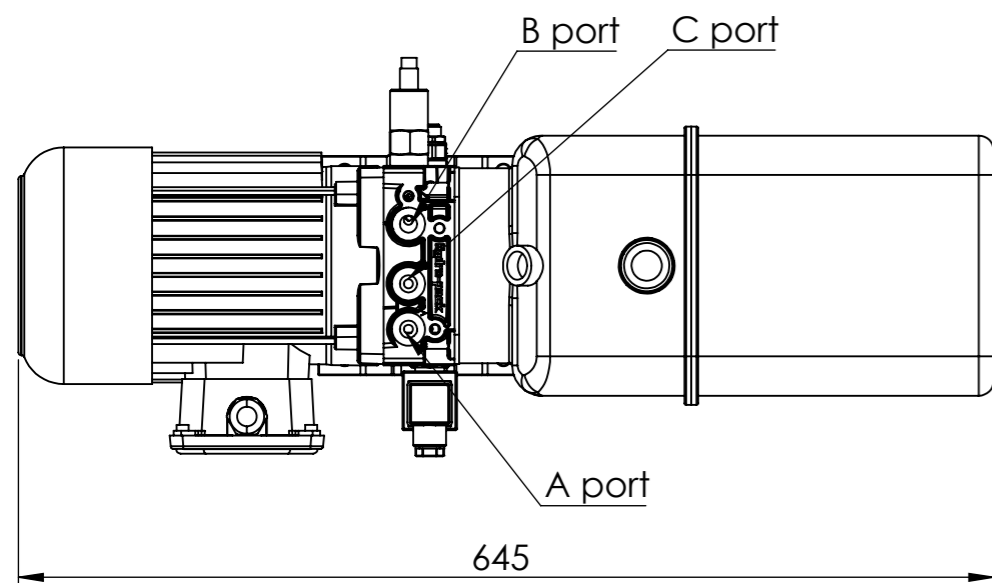
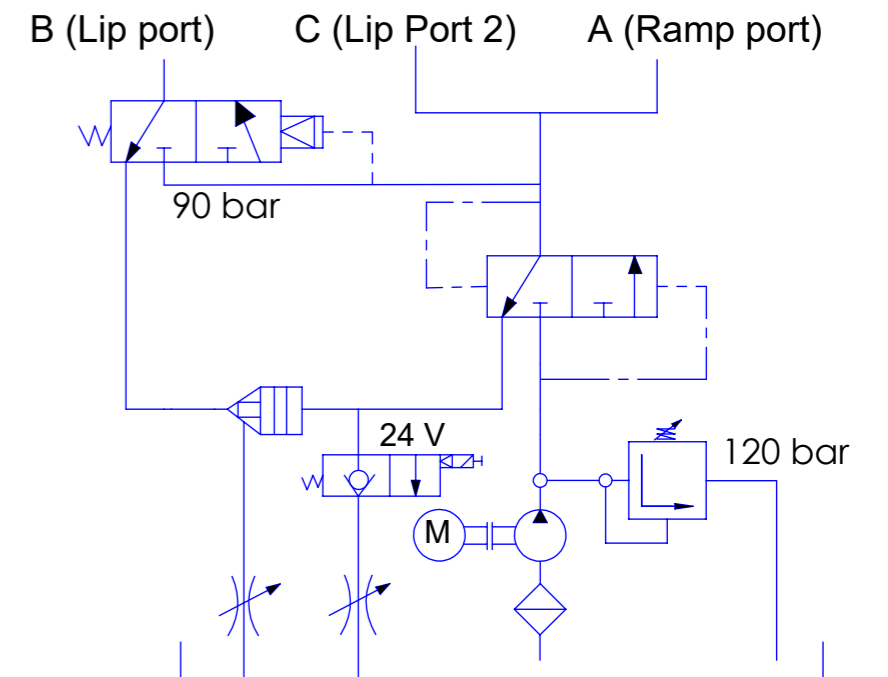
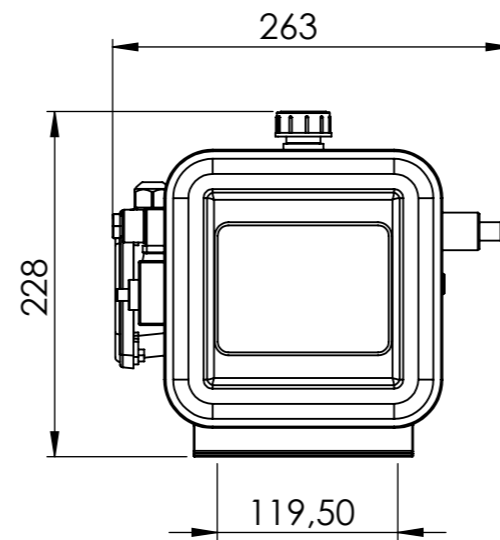
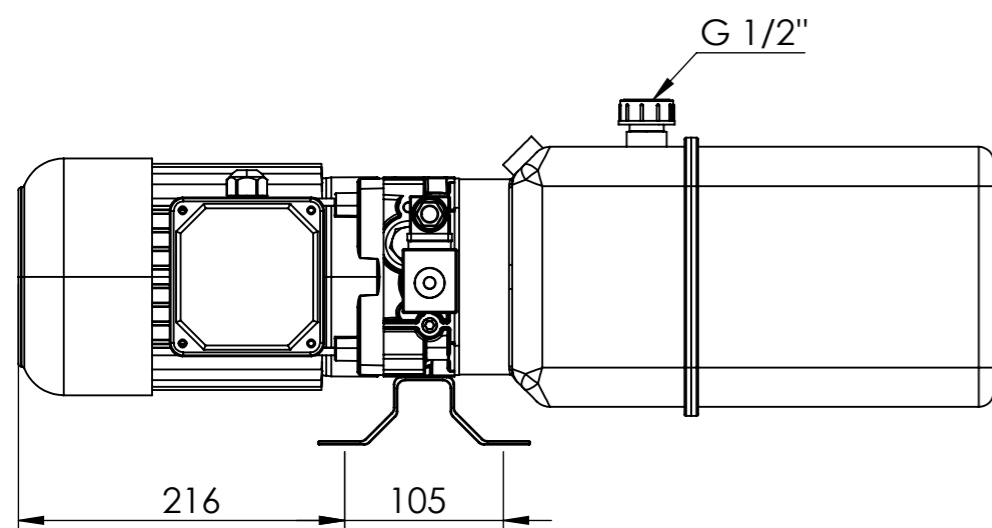


DLSD-A14-S3-P08-TP08H-12B-C.MO.24-N



PART NO.	PART NAME	QTY.
1	HP-DL	1
2	AC-3V-1.1-2800-S3	1
3	TPL08-S	1
4	10A1.8X302	1
5	A-B 1/2"	1
6	Filter	1
7	P-NC-MO-24	1
8	Connection plate-DL	1
9	SP-90-L	1
10	PCV Valve	1
11	Flow Control Valve	2
12	Sequence Valve	1
13	Logic Valve	1
14	HP-PRV-05-I	1

Hydraulic Circuit
A, B, C = G 1/4"



NOTES			MASS	DESIGNED BY	G.Yalvaç
ELECTRIC MOTOR	PUMP	OIL TANK	MAX PRESSURE	CHECKED BY	H.Tarhan
POWER 1.1kW	DISPLACEMENT 1.8 cc/rev	CAPACITY 8 liter	120 bar	DATE	19.02.2020
VOLTAGE 380 V AC		TYPE Square		REVISION	
SPEED 2800 rpm, S3		ASSEMBLY Horizontal		REVISION DATE	
FREQUENCY 50 Hz		MATERIAL Plastic			

Hydro-pack
Sanayi Mah. İzmit Sanayi Sitesi 13. cad. İç Kapı No:54
İzmit/Kocaeli-TURKEY
Tel: +90 262 335 63 66 Fax: +90 262 335 63 70
www.hydropack.com.tr / info@hydropack.com.tr

DESCRIPTION
MINI POWERPACK

SCALE: 1:5

DIMENSIONS: mm
A3