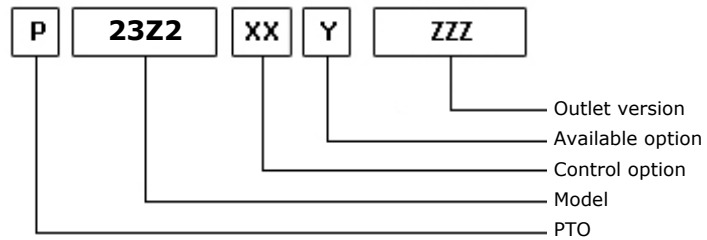
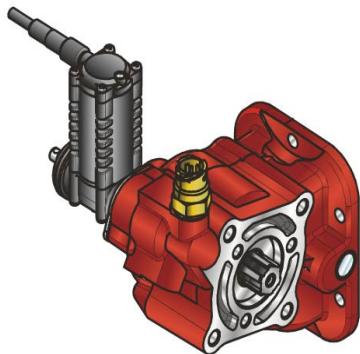




POSSIBLE SOLUTIONS



22/04/2014

TEC. SPECIFICATIONS

	Outlet 1	
Torque (NM)	180	Replaces
Int. Ratio	1,45	Replaced by
Teeth number	32	

CONTROL TYPE HYDROCAR

Electric Hydraulic Mechanical Fixed engagement Pneumatic Vacuum system

CONTROL VERSIONS (XX)

Type	82z1	Description
E	2	#Comando El. KES 13 IVECO
E	5	#Com. El.KES5E 12V PLAST.
E	6	#Com. El.KES5E 24V PLAST.
E	7	#Com. El.KES5E 12V ZAMA
E	8	#Com. El.KES5E 24V ZAMA
E	9	ECO150 12V.
M	3	#Comando Meccanico per TXZ
P	1	#Comando Pneum. 1/8"GAS

AVAILABLE OPTIONS (Y)

82z1	Description	Lubr. Kit	Switch Kit	Reinforced
1	#Tappo ispezione			
2	#MERIT+cop.protez. x Daily 4x4			
3	#Con Int. MERIT+cop.protez		194KSP17000	
4	#Con Interruttore TDS		194KSP28000	
5	#Con Int. MERIT senza cop.		194KSP17000	

OUTLET VERSIONS (ZZZ)

82z1	Description
201	3-HOLE PUMP REAR UNI
204	Pump drive SE 4-Bolts
501	FL SPICER 1120 REAR SIDE
503	FL SPICER 1300 REAR SIDE
511	FL DIN10 REAR SIDE
512	FL DIN00 REAR SIDE



Conversion kit

Pneumatic/Mechanic
Mechanic/Pneumatic
Electric control

#DIN 5462 (SE) da UNI

606X01K0000

Flange kit

82z1 Description

197KFL01000	SPICER 1120 21UNI222
197KFL03000	SPICER 1300 21UNI222
197KFL11000	DIN10 21UNI222
197KFL12000	DIN00 21UNI222

Switch kit

82z1 Description

194KSP17000	DIN 2.5 M16x1.5 N.O.
194KSP28000	#TDS M16x1.5 N.O.

Bracket kit

82z1 Description

190ST0020T0	Remote control TXZ I20
-------------	------------------------



Hydrocar
Hydraulic Energy

23Z2

#PTO LAT. L. S. Z.F 6S-380 VO

MATCHINGS

Brand	Range	Model	1st Gear ratio	Outlet	Application
IVECO		2840.6	5,40	Left	Z2
Z.F.	ECOLITE	6 AS 380 VO	5,40	Left	Z2
Z.F.	ECOLITE	6 AS 400 VO	5,40	Left	Z2
Z.F.	ECOLITE	6 S 380 VO (SX)	5,40	Left	Z2
Z.F.	ECOLITE	6 S 400 VO	5,40	Left	Z2
Z.F.	ECOLITE	6 S 420 V/0.791	5,78	Left	Z2
Z.F.	ECOLITE	6 S 425 V/0.791	5,78	Left	Z2

