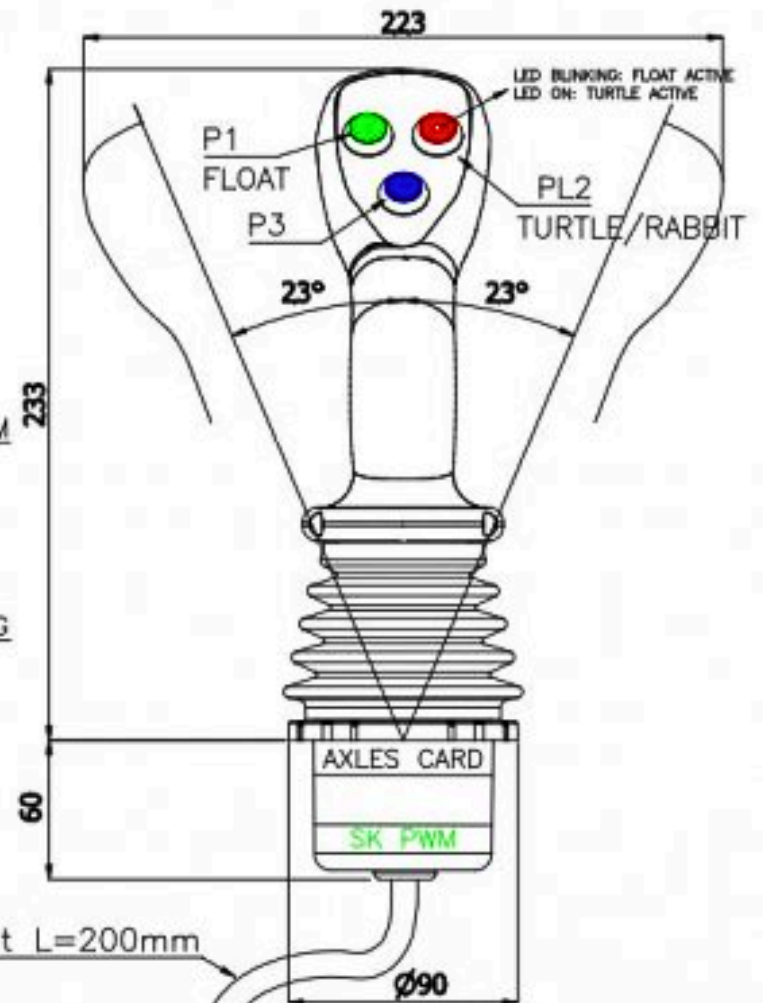
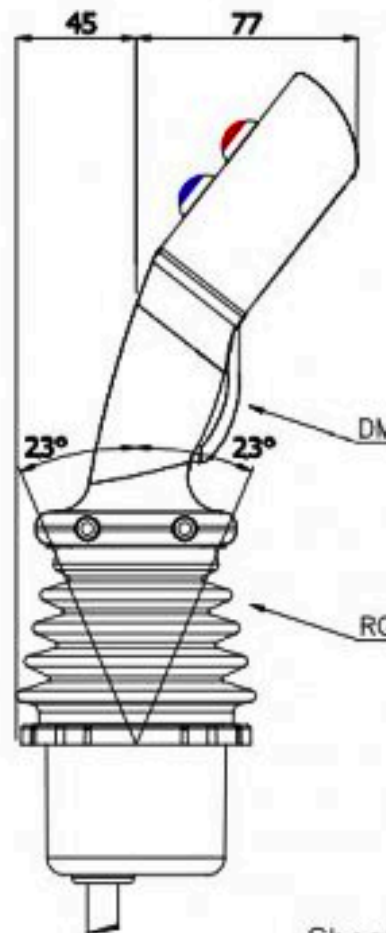
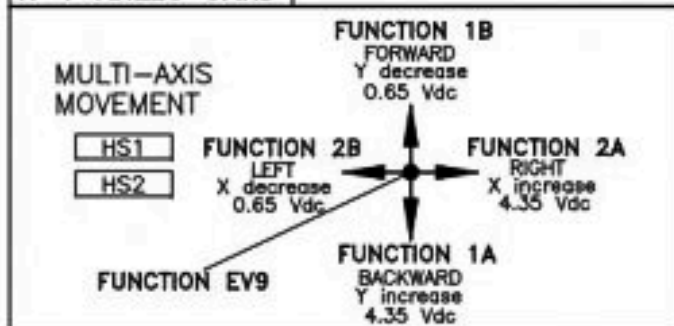


### X-Y PWM CURRENT RANGE

$I_{min}$	$I_{max}$	Dither Freq	$V_{batt}$
100mA	1600mA	100Hz adj.	8-30Vdc

### X-Y AXLES CARD



Sheat L=200mm



### PC CONNECTION

OPTIONAL: RS232 PC CABLE WITH DB9F CONNECTOR WITH CD SOFTWARE

