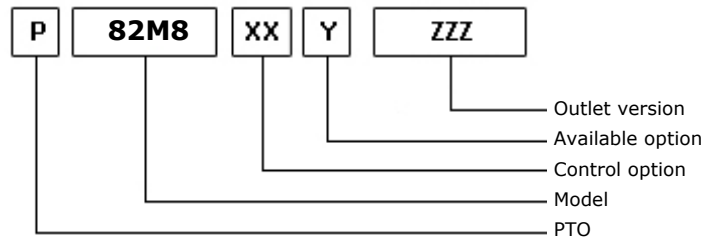
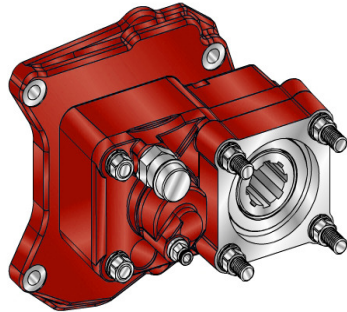




POSSIBLE SOLUTIONS



15/07/2010

TEC. SPECIFICATIONS

	Outlet 1	
Torque (NM)	300	Replaces
Int. Ratio	1,32	Replaced by
Teeth number	12	

CONTROL TYPE HYDROCAR

Electric Hydraulic Mechanic Fixed engagement Pneumatic Vacuum system

CONTROL VERSIONS (XX)

Type	82z1	Description
P	1	#Cmd. M12x1.5 con raccordo
P	2	#Cmd. M12x1.5 senza racc.

AVAILABLE OPTIONS (Y)

82z1	Description	Lubr. Kit	Switch Kit	Reinforced
0	#Non presente			
2	#Con Kit di LubrificazioneKLB12	195KL12P181		
3	#Con Kit di Lubrificazione	195KL12P184		
4	#Con kit interrut. Kostal		194KSP02000	
5	#Con kit interrut. Merit		194KSP19000	
6	#Con kit interrut. T.D.S.		194KSP29000	
A	#Versione per cambi Euro 2			

OUTLET VERSIONS (ZZZ)

82z1	Description
201	3-HOLE PUMP REAR UNI
204	Pump drive SE 4-Bolts
294	4 HOLES PUMP SE/R REAR
550	#PREDISPOSTA ATTACCO FLANGIA
740	FL DIN00 REAR SIDE
741	FL SPICER 1120 REAR SIDE
742	FL DIN10 REAR SIDE
743	FL SPICER 1300 REAR SIDE



Hydrocar
Hydraulic Energy

82M8

#PTO POS. L. D. MERCEDES G131 G211-12

Conversion kit

Pneumatic/Mechanic
Mechanic/Pneumatic
Electric control

#UNI da DIN 5462 SE/R

606X02RS000

Flange kit

82z1

Description

197KFL75000

DIN 00 SE/R

197KFL76000

DIN 10 SE/R

197KFL77000

SPICER 1120 SE/R

197KFL78000

SPICER 1300 SE/R

Lubrication kit

82z1

Description

195KL12F281

DIN10 SE 32x36

195KL12F381

DIN10 (100mm) (2325)

195KL12F481

DIN10 (100mm) (2400)

195KL12F581

DIN 10 DOWEL 600 Nm

195KL12P181

SPICER 1120 SE/R

195KL12P184

SPICER 1300 SE/R

Switch kit

82z1

Description

194KSP02000

#EATON N.C. (2264)

194KSP19000

#Merit M16x1.5 N.C.

194KSP29000

#TDS M16x1.5 N.C.

ELECTRIC KITS

82z1

Description

194KE021000

#KIT CAVI P.T.O. X MERCEDES



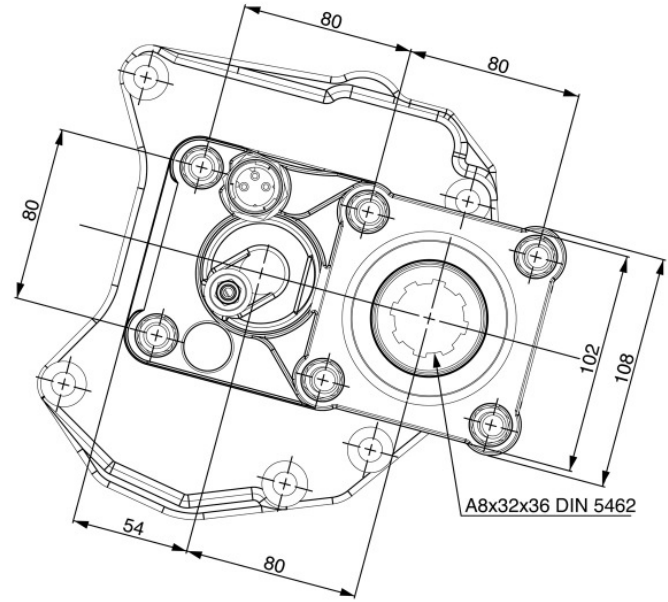
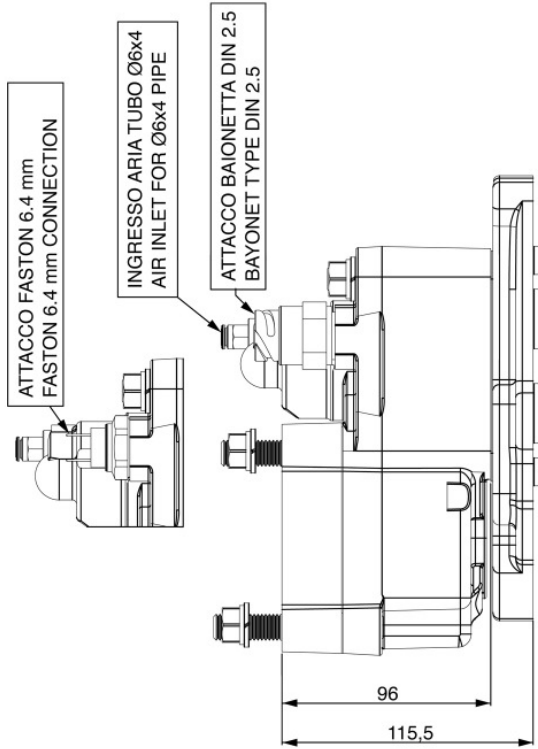
Hydrocar
Hydraulic Energy

82M8

#PTO POS. L. D. MERCEDES G131 G211-12

MATCHINGS

Brand	Range	Model	1st Gear ratio	Outlet	Application
MERCEDES		G 131 - 9	14,57	Rear	MQ
MERCEDES		G 211 -12	14,93	Rear	MR
MERCEDES		G 211 -12+VOITH	14,93	Rear	MS
MERCEDES		G 230 -12	11,67	Rear	MR
MERCEDES	KL ACTROS EURO5	G 211 -12 KL	14,93	Rear	MR
MERCEDES	KL ACTROS EURO5	G 230 -12 KL	11,67	Rear	MW
MERCEDES	KL ACTROS EURO5	G211-12KL+VOITH	14,93	Rear	MS
MERCEDES	KL ACTROS EURO5	G230-12KL+VOITH	11,67	Rear	MY



VEHICLE MOTION DIRECTION