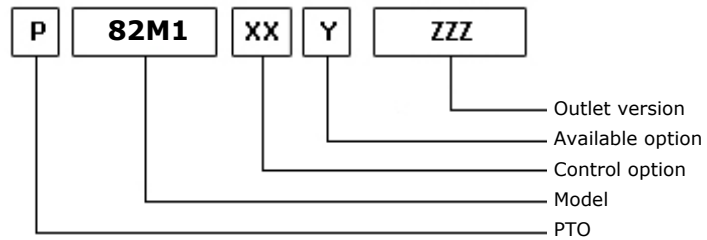
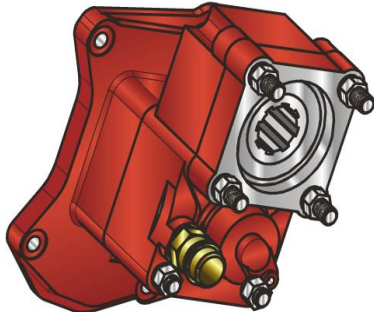




### POSSIBLE SOLUTIONS



31/08/2006

### TEC. SPECIFICATIONS

	<b>Outlet 1</b>		
<b>Torque (NM)</b>	300	<b>Replaces</b>	2707
<b>Int. Ratio</b>	1,32	<b>Replaced by</b>	
<b>Teeth number</b>	12		

### CONTROL TYPE HYDROCAR

Electric      Hydraulic      Mechanic      Fixed engagement       Pneumatic      Vacuum system

### CONTROL VERSIONS (XX)

Type	82z1	Description
P	1	#Cmd. M12x1.5 con raccordo
P	2	#Cmd. M12x1.5 senza racc.

### AVAILABLE OPTIONS (Y)

82z1	Description	Lubr. Kit	Switch Kit	Reinforced
0	#Non presente			
2	#Con Kit di LubrificazioneKLB12	195KL12P181		
3	#Con Kit di Lubrificazione	195KL12P184		
4	#Con kit interrut. Kostal		194KSP02000	
5	#Con kit interrut. Merit		194KSP19000	
6	#Con kit interrut. T.D.S.		194KSP29000	
A	#Versione per cambi Euro 2			

### OUTLET VERSIONS (ZZZ)

82z1	Description
201	3-HOLE PUMP REAR UNI
204	Pump drive SE 4-Bolts
294	4 HOLES PUMP SE/R REAR
550	#PREDISPOSTA ATTACCO FLANGIA
740	FL DIN00 REAR SIDE
741	FL SPICER 1120 REAR SIDE
742	FL DIN10 REAR SIDE
743	FL SPICER 1300 REAR SIDE



**Hydrocar**  
Hydraulic Energy

# 82M1

#PTO POS. L. D. MERCEDES G240(ACTROS)

### Conversion kit

Pneumatic/Mechanic  
Mechanic/Pneumatic  
Electric control

#UNI da DIN 5462 SE/R

606X02RS000

### Flange kit

82z1

Description

197KFL75000

DIN 00 SE/R

197KFL76000

DIN 10 SE/R

197KFL77000

SPICER 1120 SE/R

197KFL78000

SPICER 1300 SE/R

### Lubrication kit

82z1

Description

195KL12F281

DIN10 SE 32x36

195KL12F381

DIN10 (100mm) (2325)

195KL12F481

DIN10 (100mm) (2400)

195KL12F581

DIN 10 DOWEL 600 Nm

195KL12P181

SPICER 1120 SE/R

195KL12P184

SPICER 1300 SE/R

### Switch kit

82z1

Description

194KSP02000

#EATON N.C. (2264)

194KSP19000

#Merit M16x1.5 N.C.

194KSP29000

#TDS M16x1.5 N.C.

### ELECTRIC KITS

82z1

Description

194KE021000

#KIT CAVI P.T.O. X MERCEDES



#PTO POS. L. D. MERCEDES G240(ACTROS)

## MATCHINGS

Brand	Range	Model	1st Gear ratio	Outlet	Application
MERCEDES		G VERS. EURO 2	0,00	Rear	MB
MERCEDES		G 125 - 9 (NEW)	15,90	Rear	M1
MERCEDES		G 125 -16 (NEW)	11,90	Rear	M1
MERCEDES		G 125 -16 (NEW)	14,00	Rear	M1
MERCEDES		G 125 -16+VOITH	11,90	Rear	M7
MERCEDES		G 131 - 9	14,57	Rear	M8
MERCEDES		G 135 -16 (NEW)	11,90	Rear	M1
MERCEDES		G 135 -16+VOITH	11,90	Rear	M7
MERCEDES		G 155 - 9 (NEW)	15,90	Rear	M1
MERCEDES		G 155 -16 (NEW)	11,90	Rear	M1
MERCEDES		G 155 -16 (NEW)	14,00	Rear	M1
MERCEDES		G 155 -16+VOITH	11,90	Rear	M7
MERCEDES		G 180 -16 (NEW)	11,90	Rear	M1
MERCEDES		G 180 -16 (NEW)	14,00	Rear	M1
MERCEDES		G 180 -16+VOITH	11,90	Rear	M7
MERCEDES		G 181 - 9	20,19	Rear	M8
MERCEDES		G 200 -16 (NEW)	11,90	Rear	M1
MERCEDES		G 200 -16+VOITH	11,90	Rear	M7
MERCEDES		G 201 -12	14,93	Rear	MW
MERCEDES		G 210 -16	11,90	Rear	M8
MERCEDES		G 210 -16	14,20	Rear	M8
MERCEDES		G 210 -16+VOITH	14,20	Rear	M9
MERCEDES		G 210 -18	14,00	Rear	M8
MERCEDES		G 211 -12	14,93	Rear	MW
MERCEDES		G 211 -12+VOITH	14,93	Rear	MY
MERCEDES		G 211 -16	17,00	Rear	M8
MERCEDES		G 211 -16+VOITH	17,00	Rear	M9
MERCEDES		G 221 - 9	16,20	Rear	M8
MERCEDES		G 231 -16	17,00	Rear	MW
MERCEDES		G 231 -16+VOITH	17,00	Rear	MY
MERCEDES		G 240 -16	11,70	Rear	M8
MERCEDES		G 240 -16+VOITH	11,70	Rear	M9
MERCEDES		G 241 -16	0,00	Rear	MW
MERCEDES		G 248 -16	11,70	Rear	M8
MERCEDES		G 260 -16	9,80	Rear	M8
MERCEDES		G 260 -16+VOITH	9,80	Rear	M9
MERCEDES		G 280 -16	11,70	Rear	M8
MERCEDES		G 281 -12	14,93	Rear	MW
MERCEDES		G 281 -12+VOITH	14,93	Rear	MY
MERCEDES		G 330 -12	11,63	Rear	MW
MERCEDES		G 330 -12+VOITH	11,63	Rear	MY
MERCEDES		POST.A N 206785	11,90	Rear	M1
MERCEDES		POST.A N 206785	14,00	Rear	M1
MERCEDES		POST.A N 206785	15,90	Rear	M1



**Hydrocar**  
*Hydraulic Energy*

# 82M1

#PTO POS. L. D. MERCEDES G240(ACTROS)

## MATCHINGS

Brand	Range	Model	1st Gear ratio	Outlet	Application
MERCEDES	KL ACTROS EURO5	G 211 -12 KL	14,93	Rear	MW
MERCEDES	KL ACTROS EURO5	G 230 -16 KL	14,20	Rear	MZ
MERCEDES	KL ACTROS EURO5	G 231 -16 KL	17,00	Rear	MZ
MERCEDES	KL ACTROS EURO5	G 260 -16 KL	9,80	Rear	MZ
MERCEDES	KL ACTROS EURO5	G 280 -16 KL	11,70	Rear	MZ
MERCEDES	KL ACTROS EURO5	G 281 -12 KL	14,93	Rear	MZ
MERCEDES	KL ACTROS EURO5	G 330 -12 KL	11,63	Rear	MZ
MERCEDES	KL ACTROS EURO5	G211-12KL+VOITH	14,93	Rear	MY
MERCEDES	KL ACTROS EURO5	G230-16KL+VOITH	14,20	Rear	MX
MERCEDES	KL ACTROS EURO5	G231-16KL+VOITH	17,00	Rear	MX
MERCEDES	KL ACTROS EURO5	G260-16KL+VOITH	9,80	Rear	MX
MERCEDES	KL ACTROS EURO5	G280-16KL+VOITH	11,70	Rear	MX
MERCEDES	KL ACTROS EURO5	G281-12KL+VOITH	14,93	Rear	MX
MERCEDES	KL ACTROS EURO5	G330-12KL+VOITH	11,63	Rear	MX

